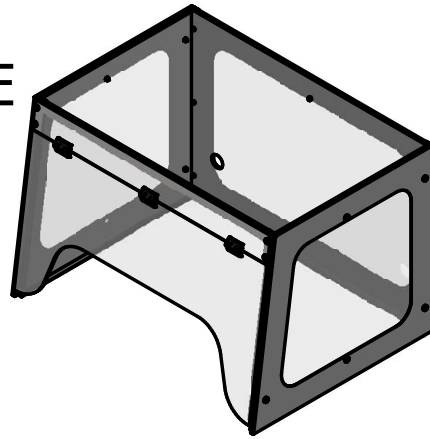


# PURAIR BASIC SERIES ENCLOSURE ASSEMBLY GUIDE

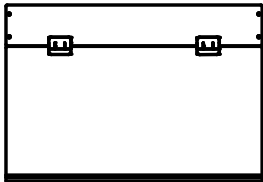
THIS PACKAGE SHOULD CONTAIN:

- 1X ACRYLIC FRONT SASH
- 1X ACRYLIC BACK PANEL
- 2X ACRYLIC SIDE PANELS
- 1X FRONT SASH SUPPORT
- 1X BACK WALL
- 2X SIDE WALLS
- 22X M4 BOLTS
- 22X M4 NUTS
- 22X M4 WASHER
- 22X BOLT CAPS



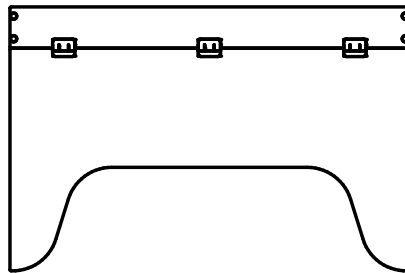
ACRYLIC FRONT SASH

24" SERIES



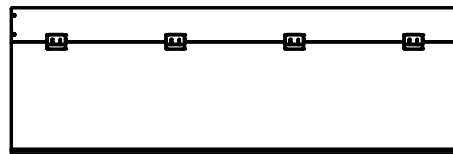
SCALE 1 / 15

36" SERIES



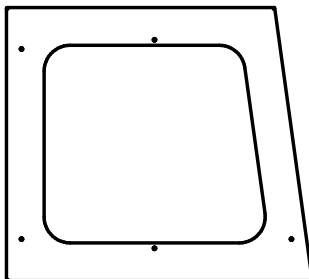
SCALE 1 / 15

48" SERIES



SCALE 1 / 18

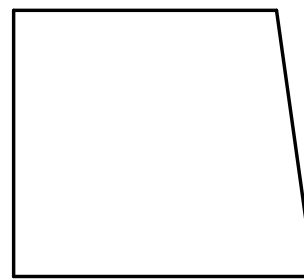
SIDE WALL X2



ACRYLIC BACK PANEL



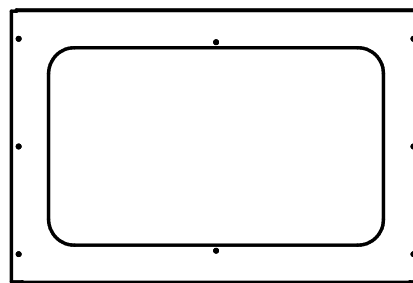
ACRYLIC SIDE PANEL X2



FRONT SASH SUPPORT



BACK WALL



M4 BOLT, WASHER, AND NUT WITH CAP X22



THIS SECTION MAY BE ASSEMBLED AT THE FACTORY

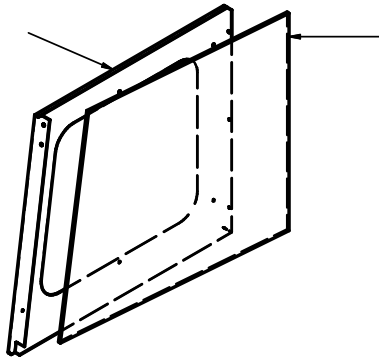


IMAGE 1-1

REMOVE ANY PLASTIC COVER FROM ACRYLIC  
PLACE ACRYLIC SIDE PANEL INSIDE SIDE WALL IN SLOT

BOLT THE ACRYLIC PANELS TO THE WALL  
5X BOLTS AND NUTS PER SIDE

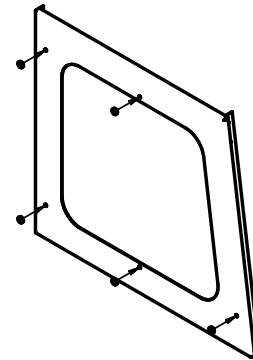
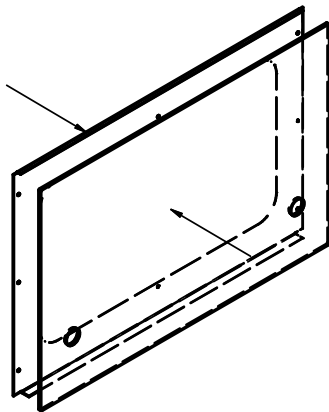


IMAGE 1-2



REMOVE ANY PLASTIC COVER FROM ACRYLIC  
PLACE ACRYLIC BACK PANEL ON THE INSIDE OF THE BACK WALL.  
ENSURE THE CABLE PASS-THROUGH PORTS  
ARE NEAR TO THE BOTTOM TAB.

BOLT THE ACRYLIC PANEL TO THE WALL  
2X BOLTS AND NUTS

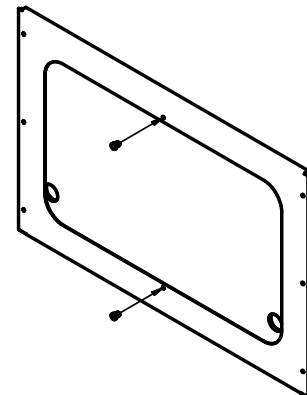
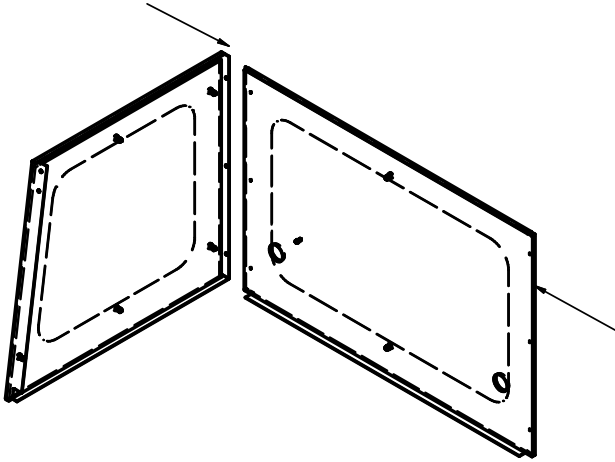


IMAGE 1-4



INSERT BACK WALL INTO  
THE SLOT OF THE SIDE WALL.  
SEE IMAGE 1-6 FOR DETAIL

IMAGE 1-5

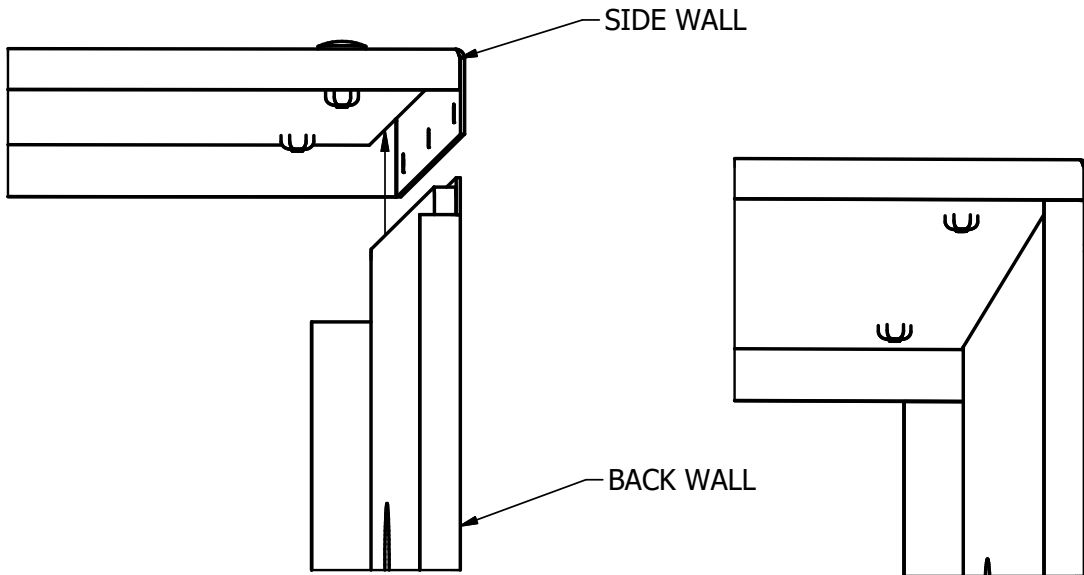
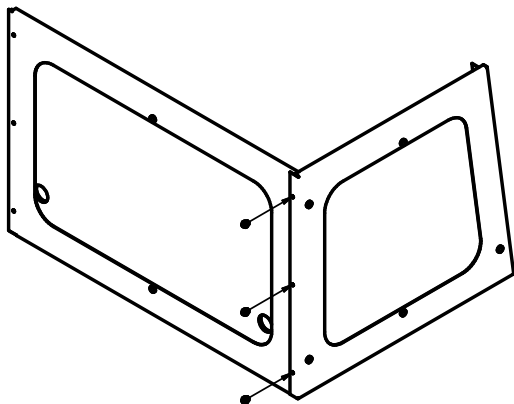


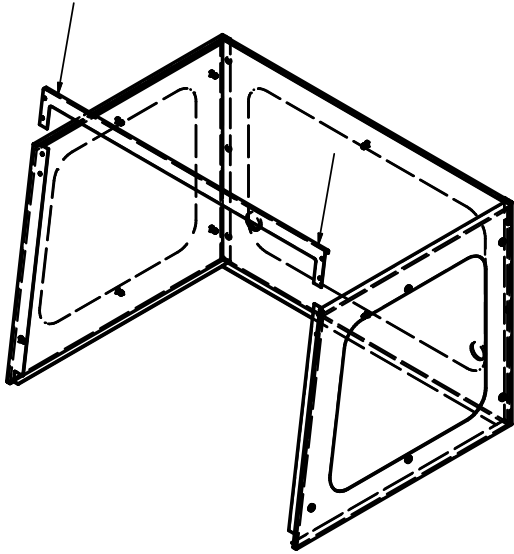
IMAGE 1-6-1

IMAGE 1-6-2



BOLT SIDE WALLS TO THE BACK WALL.  
3X BOLTS AND NUTS PER SIDE

IMAGE 1-7



SLIDE THE FRONT SASH SUPPORT  
ONTO THE SIDE WALLS.

IMAGE 1-8

REMOVE ANY PLASTIC COVER FROM ACRYLIC  
PLACE THE ACRYLIC FRONT SASH UNDER  
THE SUPPORT AND ATOP SIDE WALLS.

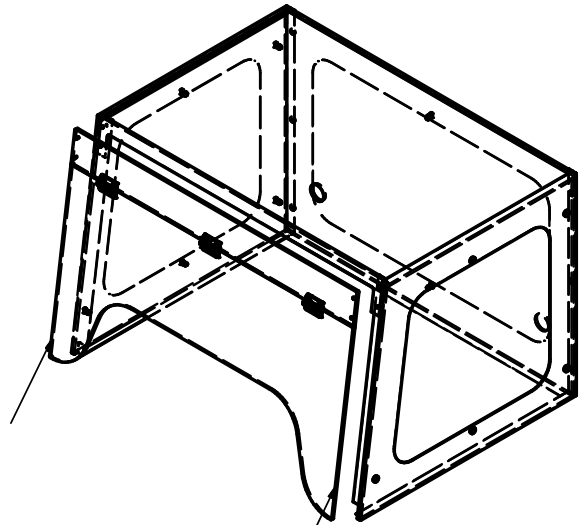
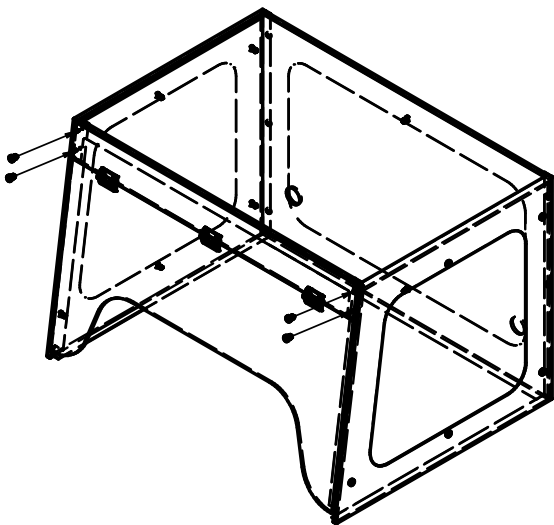


IMAGE 1-9



BOLT THE FRONT SASH TO  
THE SUPPORT AND SIDE WALLS.  
4X BOLTS AND NUTS

IMAGE 1-10