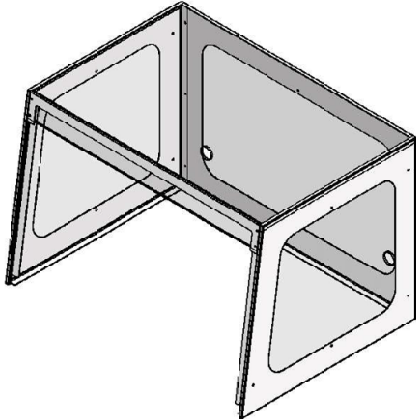


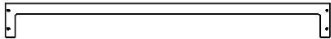
FLOW SERIES ENCLOSURE ASSEMBLY GUIDE

- THIS PACKAGE SHOULD CONTAIN:
 1X FRONT SASH
 1X BACK PANEL
 2X SIDE PANEL
 1X FRONT SASH SUPPORT
 10X M4 BOLTS
 10X M4 NUTS
 10X M4 WASHER
 10X BOLT CAPS

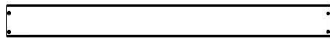


NOTE: IMAGES DEPICT ANGLED SIDES VARIANT, INSTRUCTIONS ARE SIMILAR TO THE STRAIGHT SIDES VARIANT.

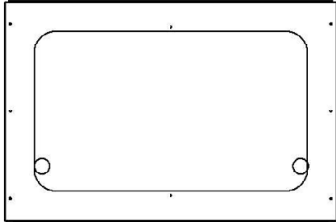
FRONT SASH SUPPORT



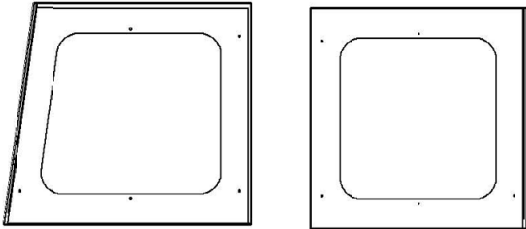
FRONT SASH



BACK PANEL

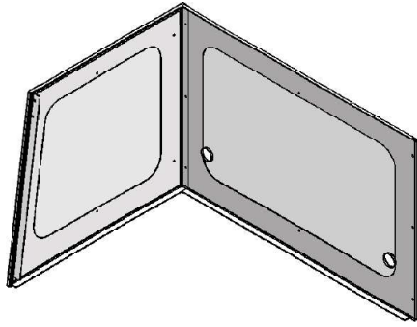


SIDE PANELS
 ANGLED VARIANT X2 OR STRAIGHT VARIANT X2



M4 BOLT, WASHER, AND NUT WITH CAP X10





INSERT BACK WALL INTO
THE SLOT OF THE SIDE WALL.
SEE IMAGE 1-2 FOR DETAIL

IMAGE 1-1

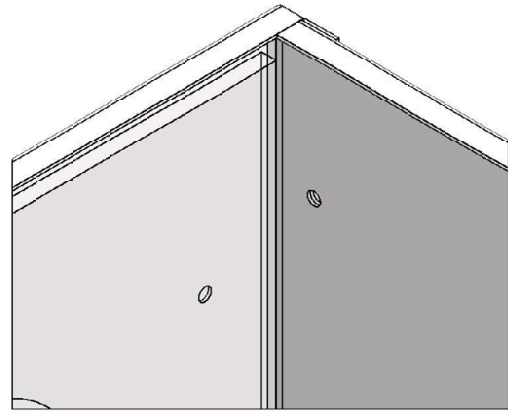
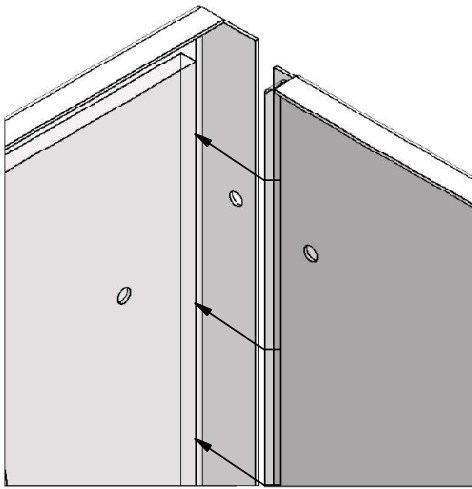
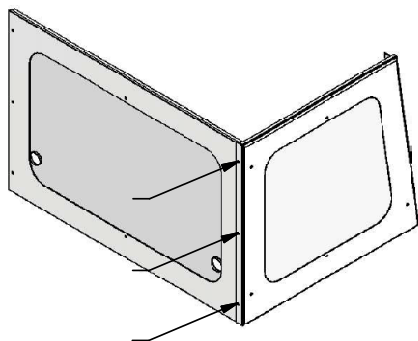


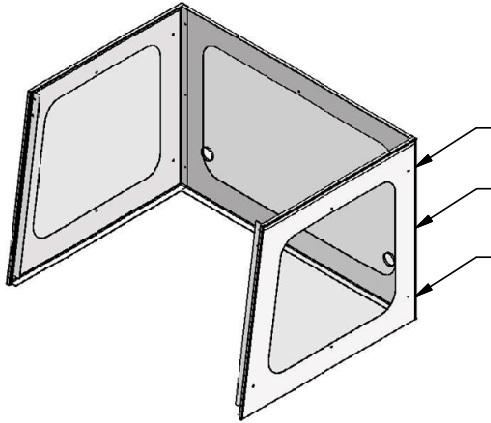
IMAGE 1-2-1

IMAGE 1-2-2



BOLT SIDE WALLS TO THE BACK WALL.
3X BOLTS AND NUTS PER SIDE

IMAGE 1-3



DO THE SAME WITH THE OPPOSING SIDE WALL
3X BOLTS AND NUTS

IMAGE 1-4

ATTACH THE FRONT SASH AND
THE SUPPORT AND SIDE WALLS.
4X BOLTS AND NUTS

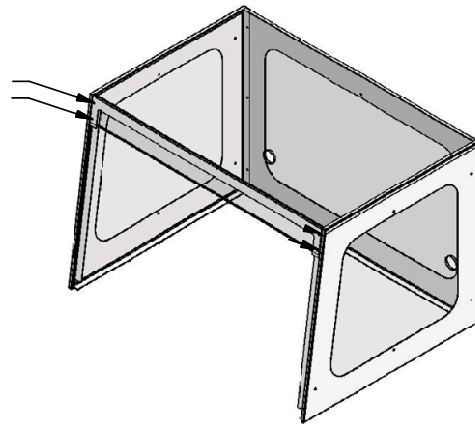
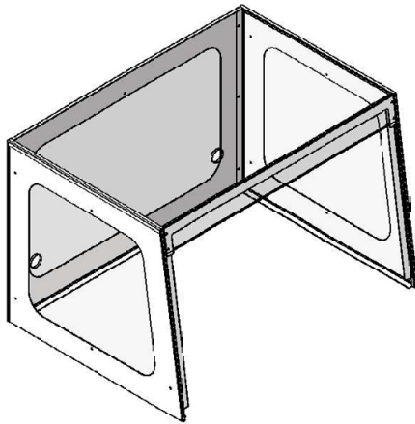


IMAGE 1-5



ENCLOSURE IS NOW READY FOR THE HEAD UNIT.

IMAGE 1-6