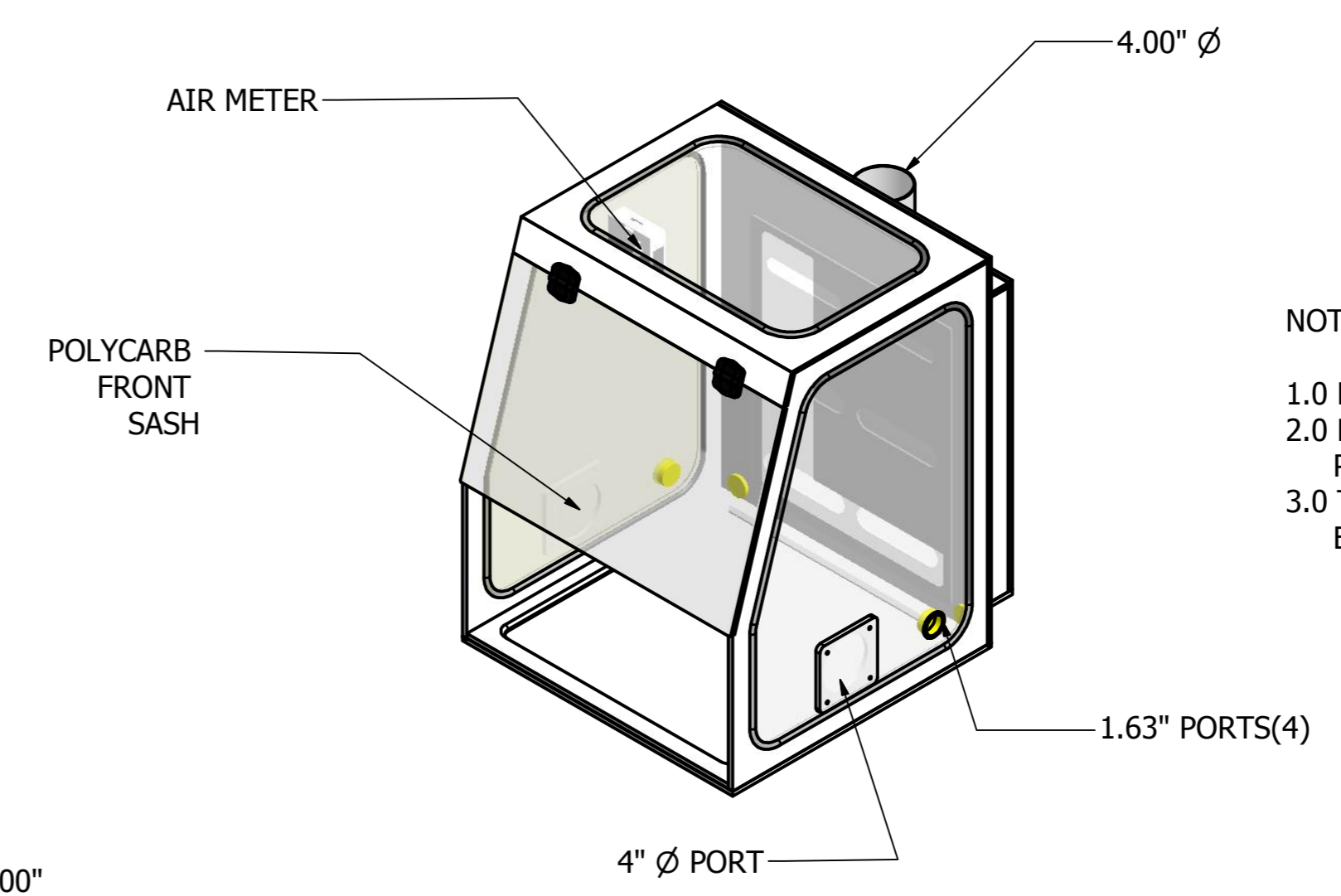
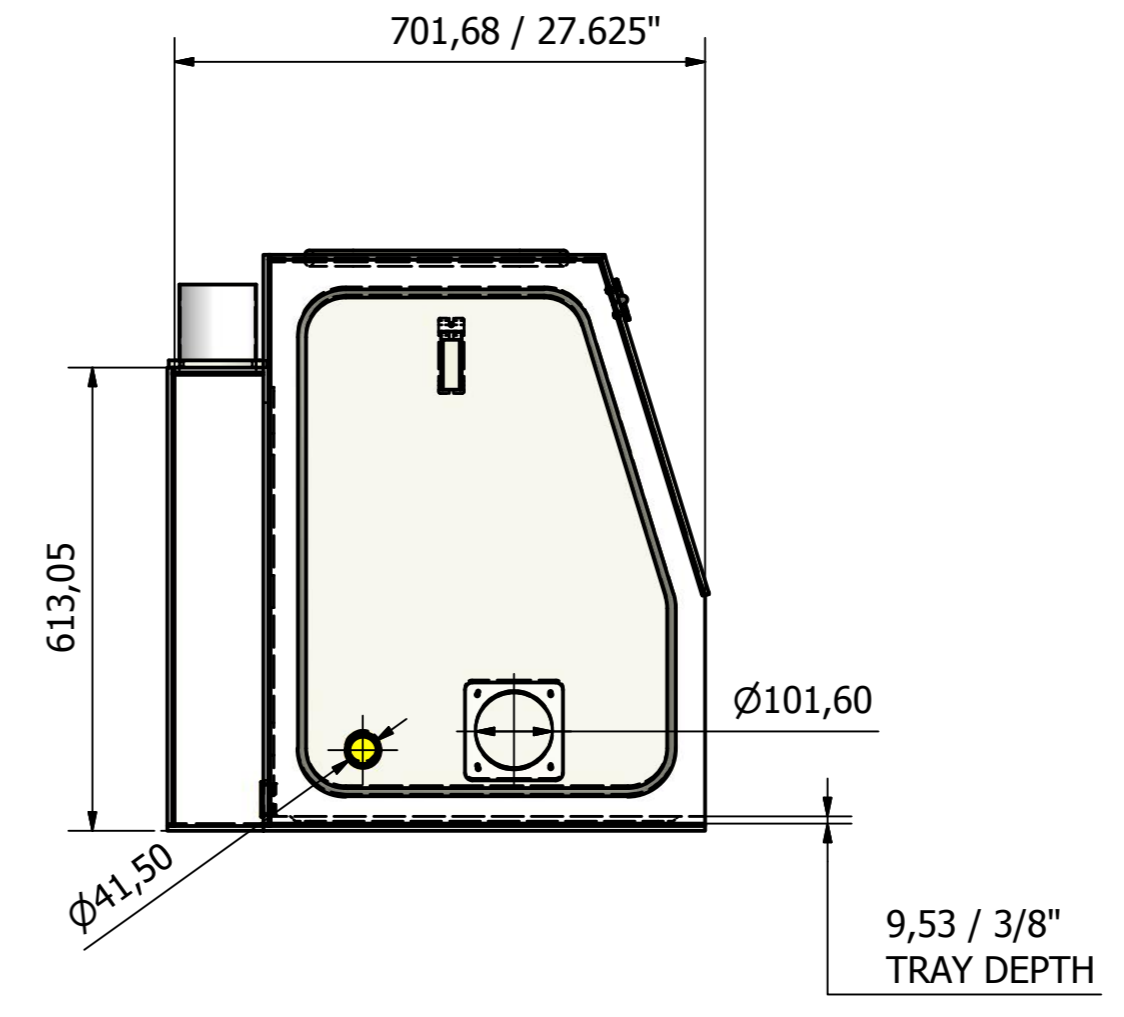


A-A (0.10 : 1)



- NOTES:
- 1.0 ENCLOSURE BUILT IN PP 3/8".
 - 2.0 FRONT SASH BUILT IN 3/8" POLYCARB.
 - 3.0 TOP COVER AND SIDE WINDOW BUILT IN 1/4" ACRYLIC.

Notes:
Customer: Jhonson & Jhonson

Designed by CFG	Checked by	Approved by	Date	Date 7/1/2013	
AIR SCIENCE USA			VE24T-PP		
			VE24TC-MainGAssem.R1	Edition R2`	Sheet 1 / 1