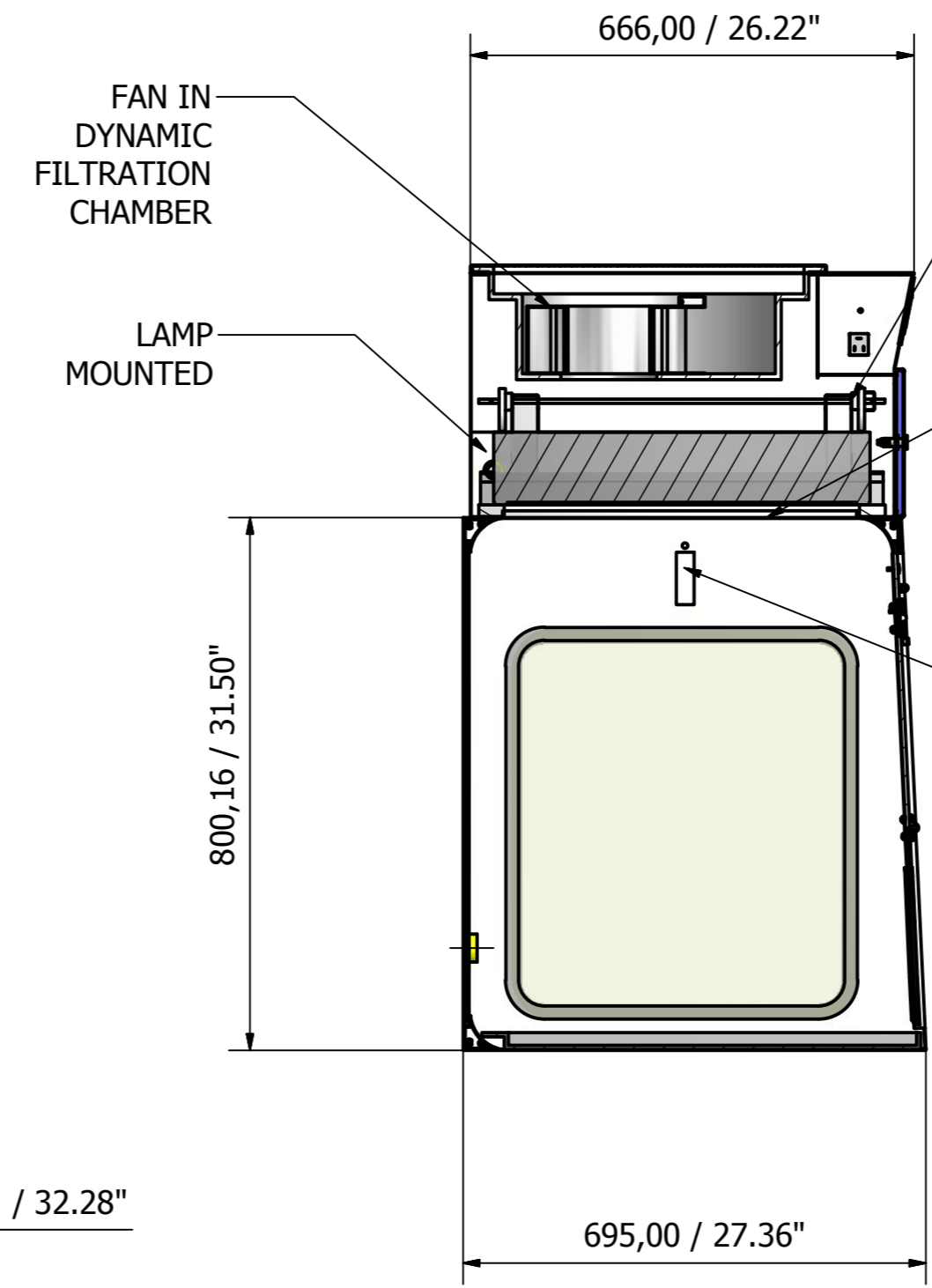
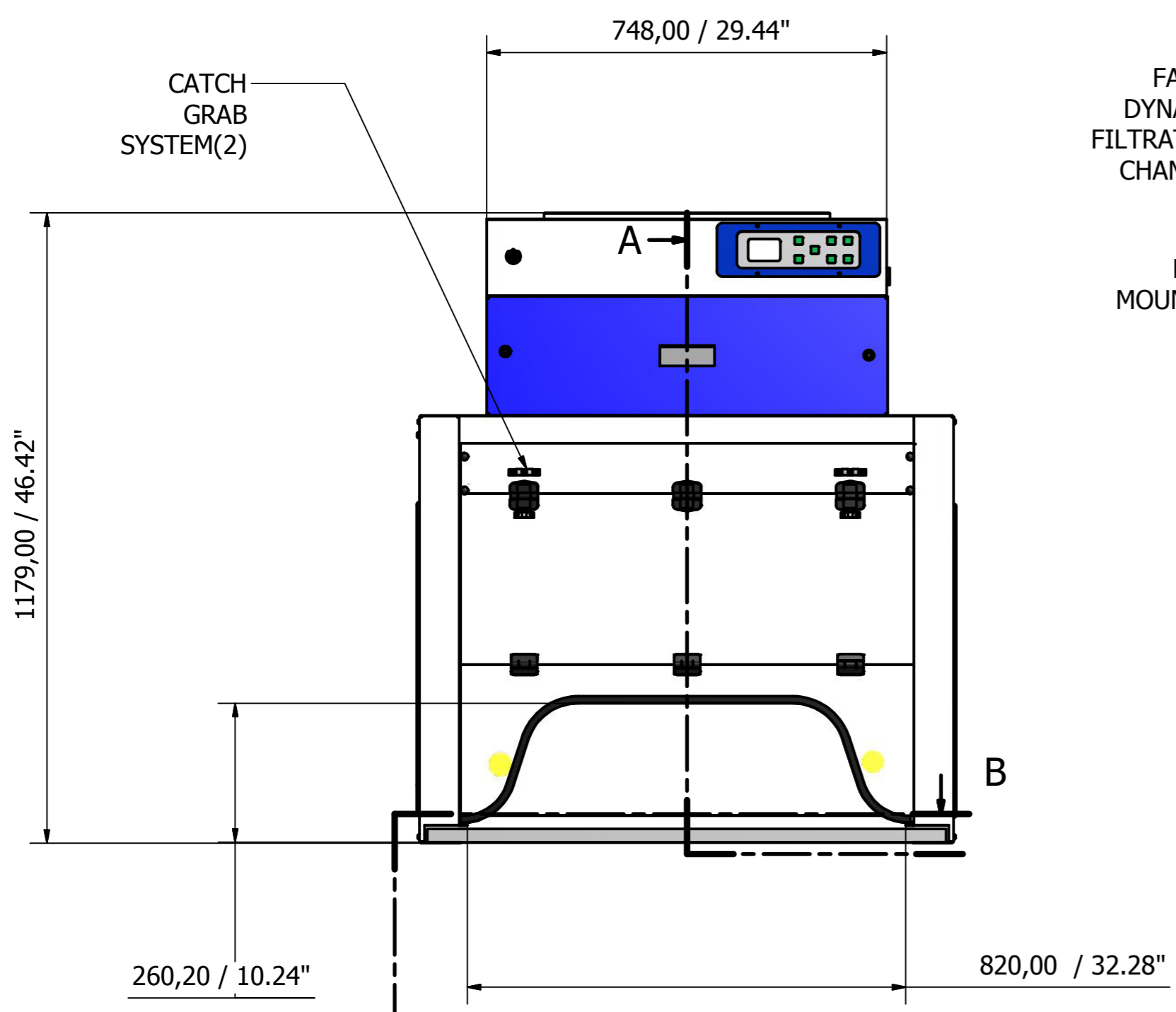


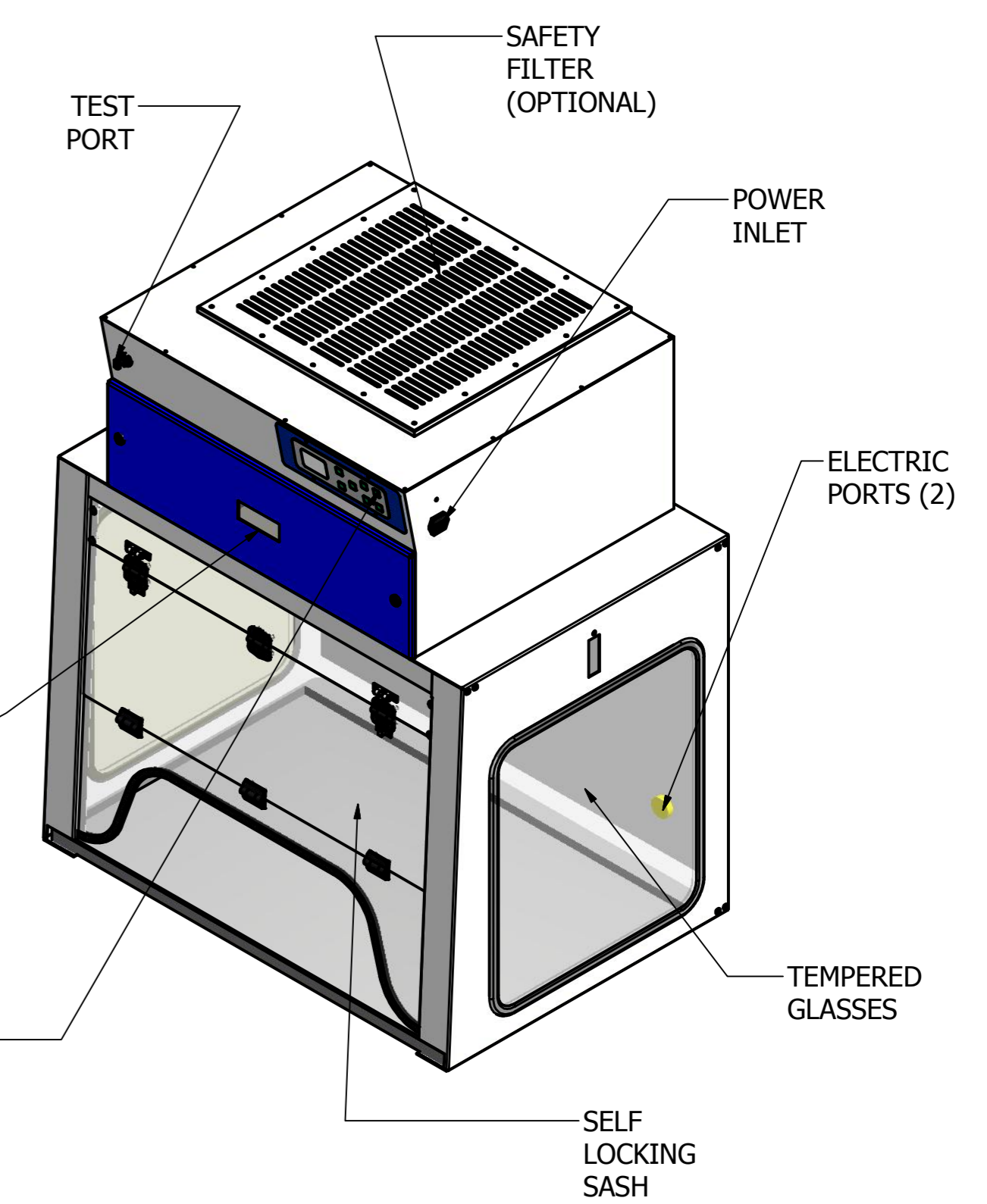
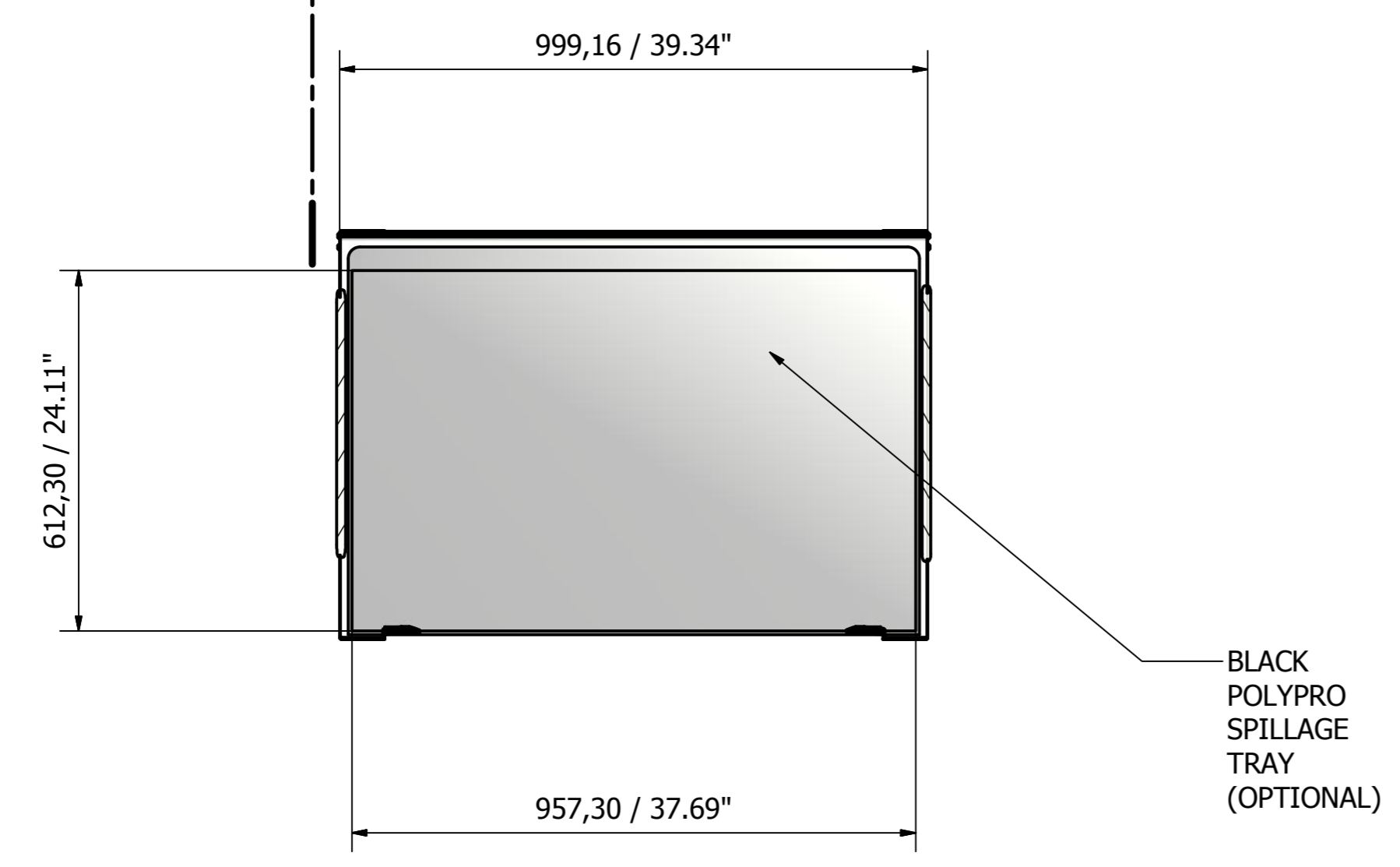
| REVISION HISTORY | | | | |
|------------------|-----|------------------|-----------|----------|
| ZONE | REV | DESCRIPTION | DATE | APPROVED |
| SIDE PANELS | 1 | TEMPERED GLASSES | 5/16/2017 | P. CH. |



NOTES:

STANDARD IN ALL UNITS:

- 1.0 CONSTRUCTION: EPOXY COATED MID STEEL SIDES PANELS AND HEAD UNIT.
- 2.0 FRONT, SIDES AND BACK PANELS MADE ON CLEAR ACRYLIC OF 1/4".
- 3.0 TEMPERED GLASSES ON SIDE PANELS.
- 4.0 CENTRIFUGAL FAN.
- 5.0 POWER SUPPLY 110V 60Hz.
- 6.0 MAIN SWITCH ON/OFF.
- 7.0 MONITORING, LOW AIRFLOW.



| | | | | |
|--------------------|------------|------------------------------|------------------|----------------|
| Designed by CFG | Checked by | Approved by | Date 3/6/2014 | Date |
| AIR SCIENCE USA | | PURAIR 15 DUCTLESS FUME HOOD | | |
| Purair15-UL.Assem | | | Edition 1 | Sheet 1 / 1 |