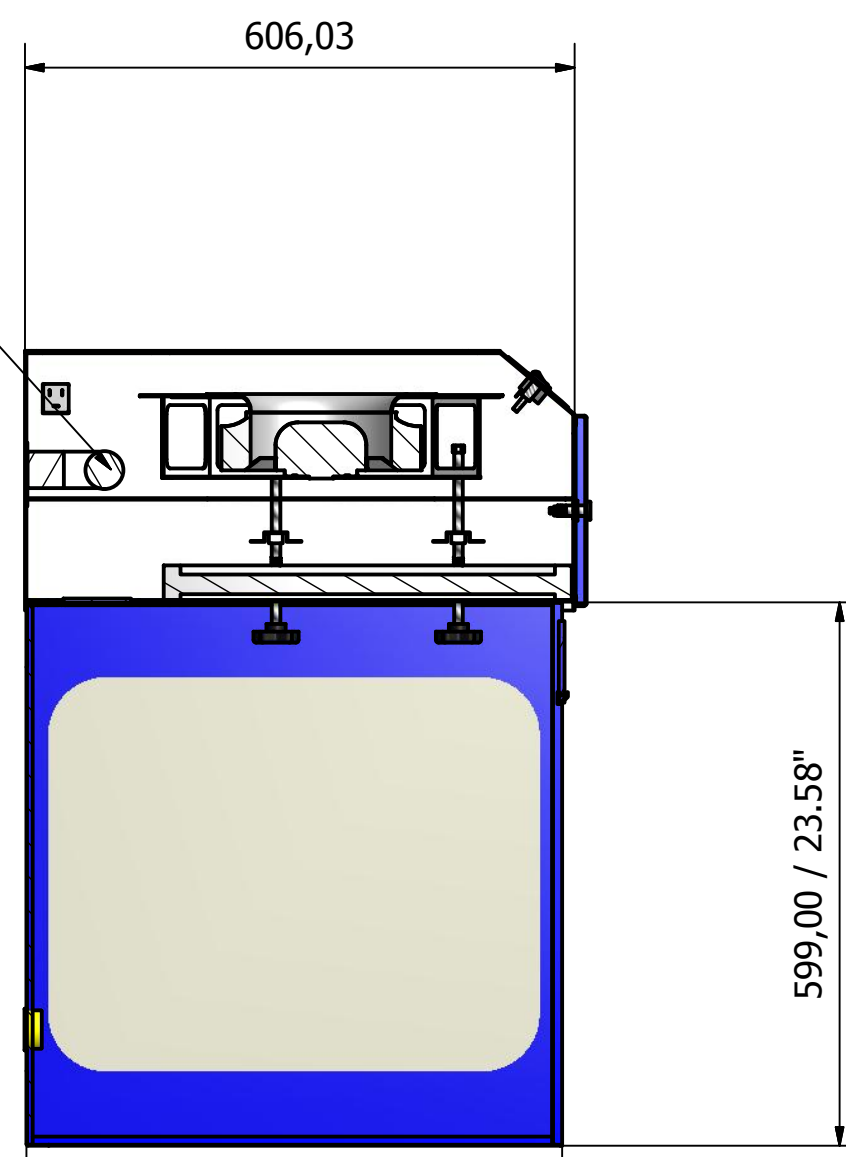
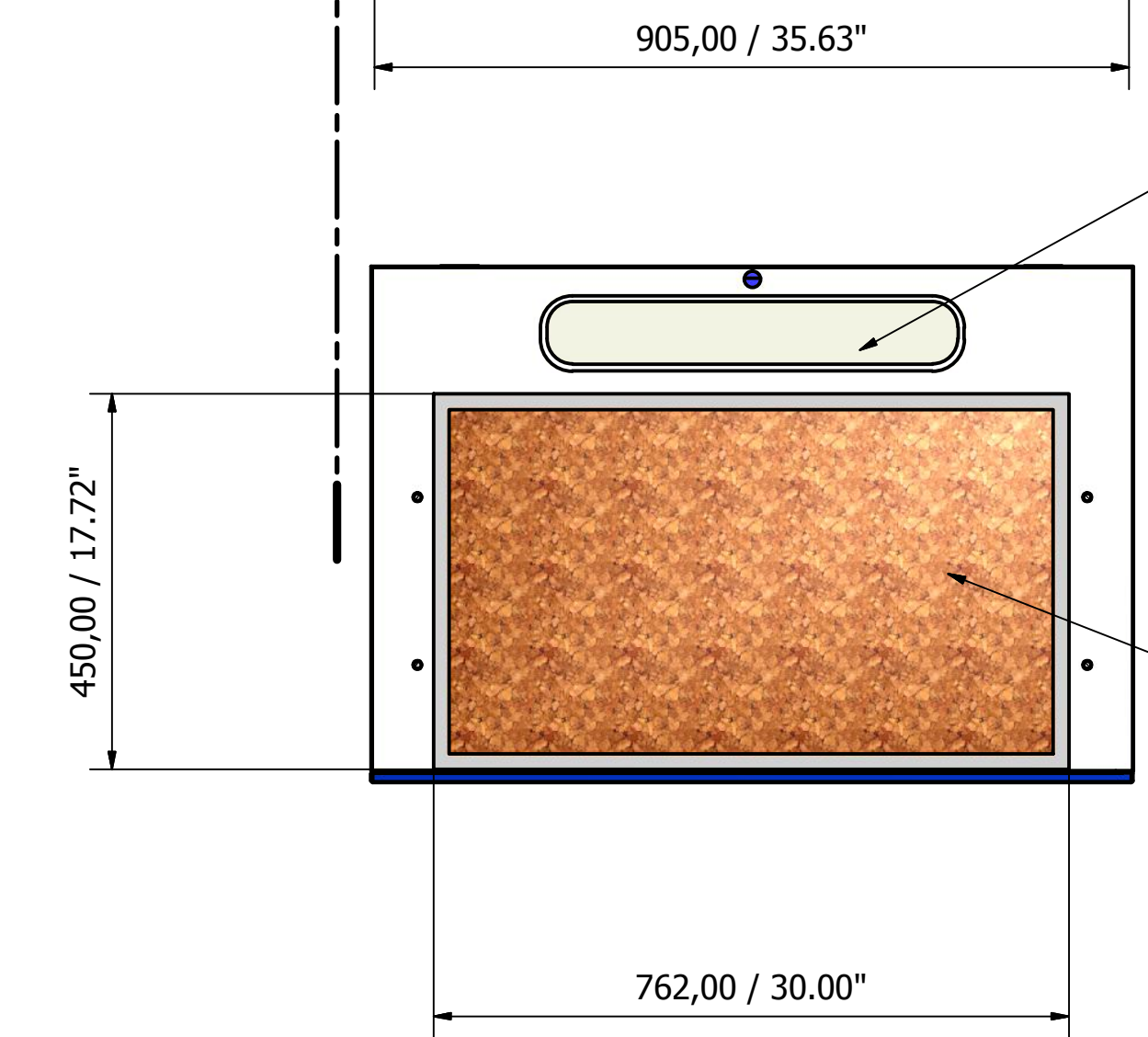


INTERNAL LIGHT



**NOTES:**

- STANDARD ON ALL UNITS:  
 1.0 CONSTRUCTION: EPOXY COATED MILD STEEL HEAD UNIT AND COLUMNS.  
 2.0 FRONT TOP, SIDES AND BACK PANELS MADE ON CLEAR ACRYLIC OF 1/4".  
 3.0 CENTRIFUGAL FAN  
 4.0 POWER SUPPLY 110V 60Hz  
 5.0 SWITCH, MAIN ON/OFF

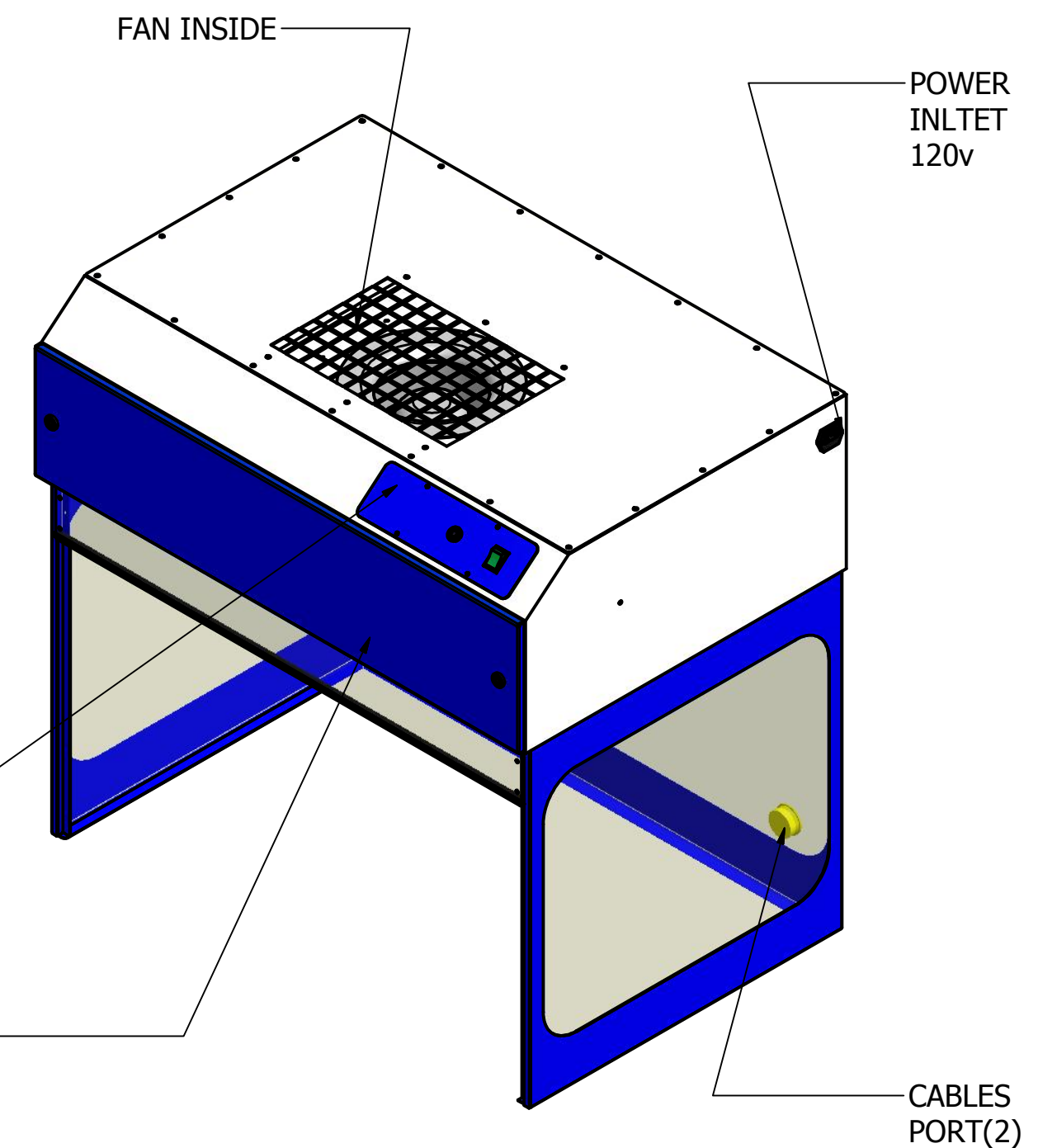


LIGHT GLASS

HEPA FILTER

A-A ( 0.12 : 1 )

B-B ( 0.12 : 1 )



|                    |            |             |                   |                   |                |
|--------------------|------------|-------------|-------------------|-------------------|----------------|
| Designed by<br>CFG | Checked by | Approved by | Date              | Date<br>7/23/2013 |                |
| AIR SCIENCE USA    |            |             | PURAIR FLOW PF-36 |                   |                |
|                    |            |             | PF-36             | Edition           | Sheet<br>1 / 1 |