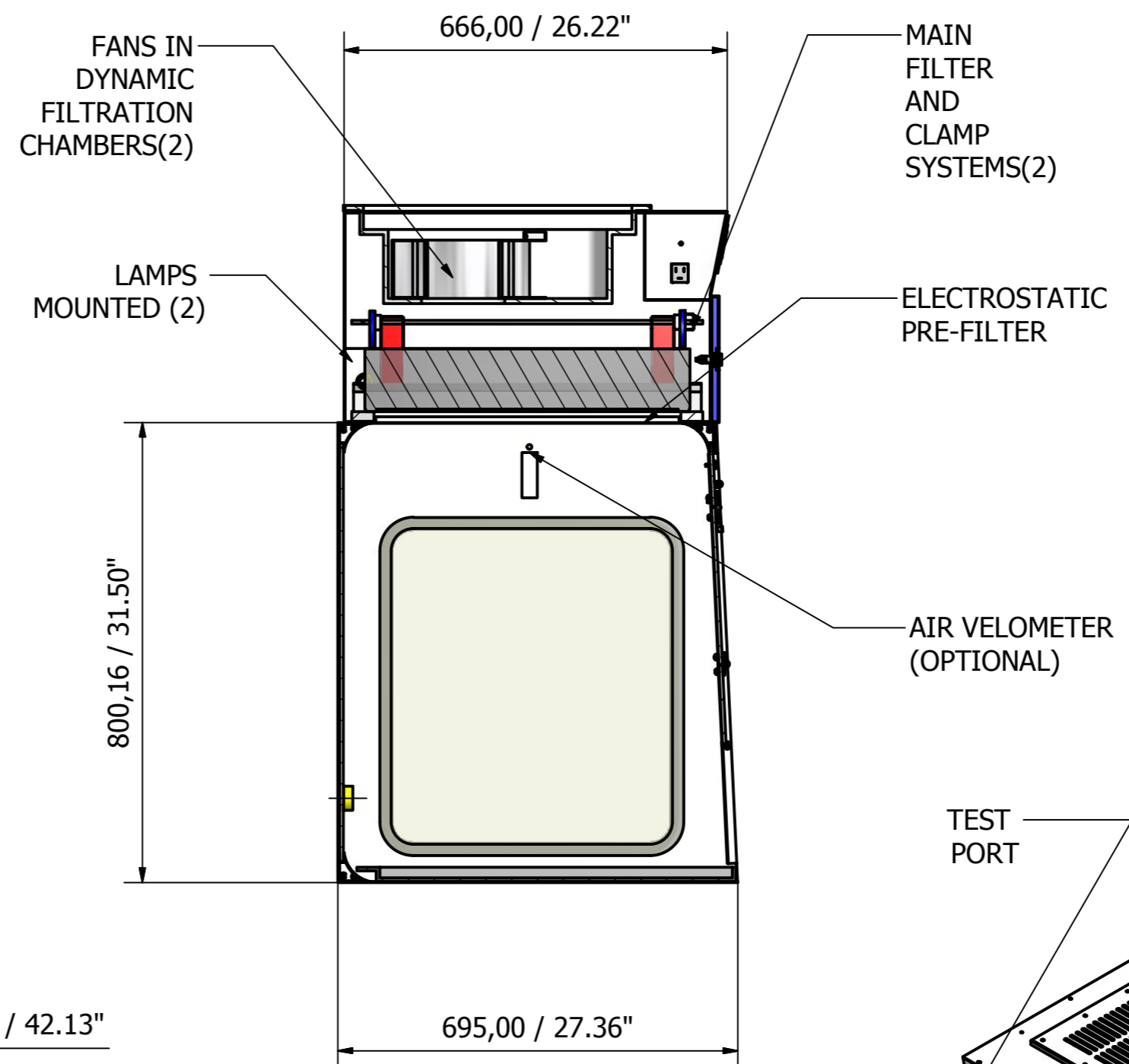
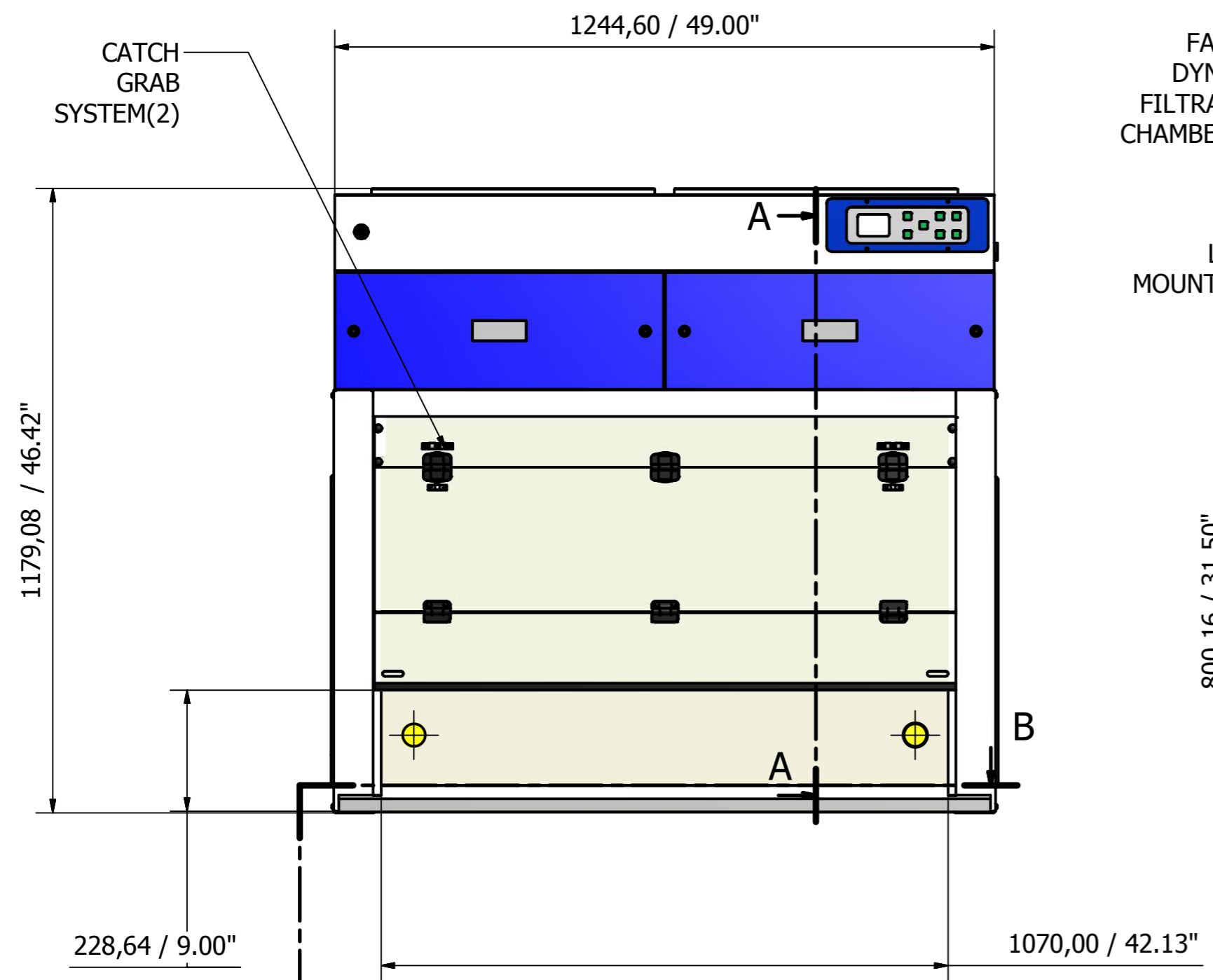
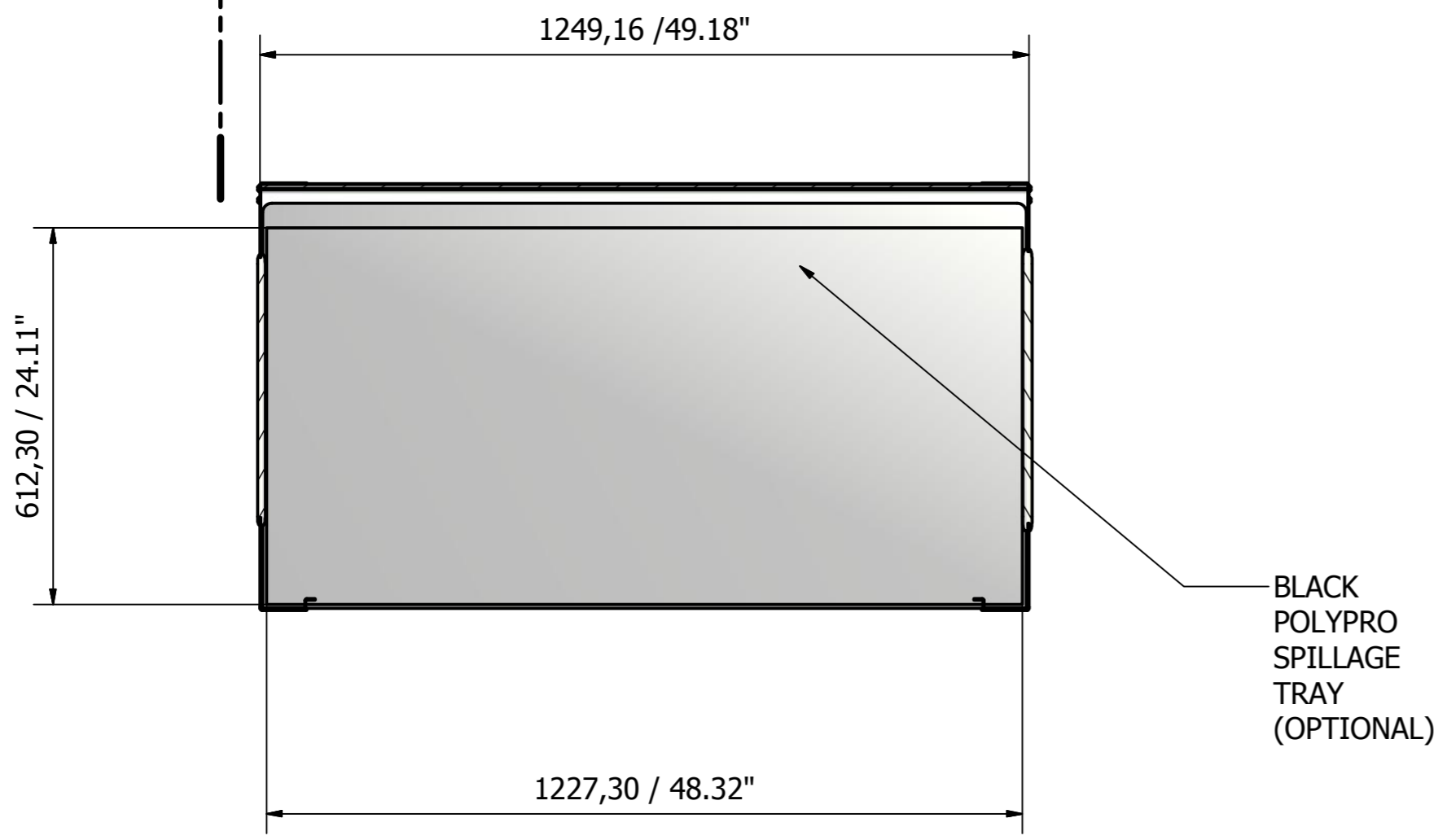
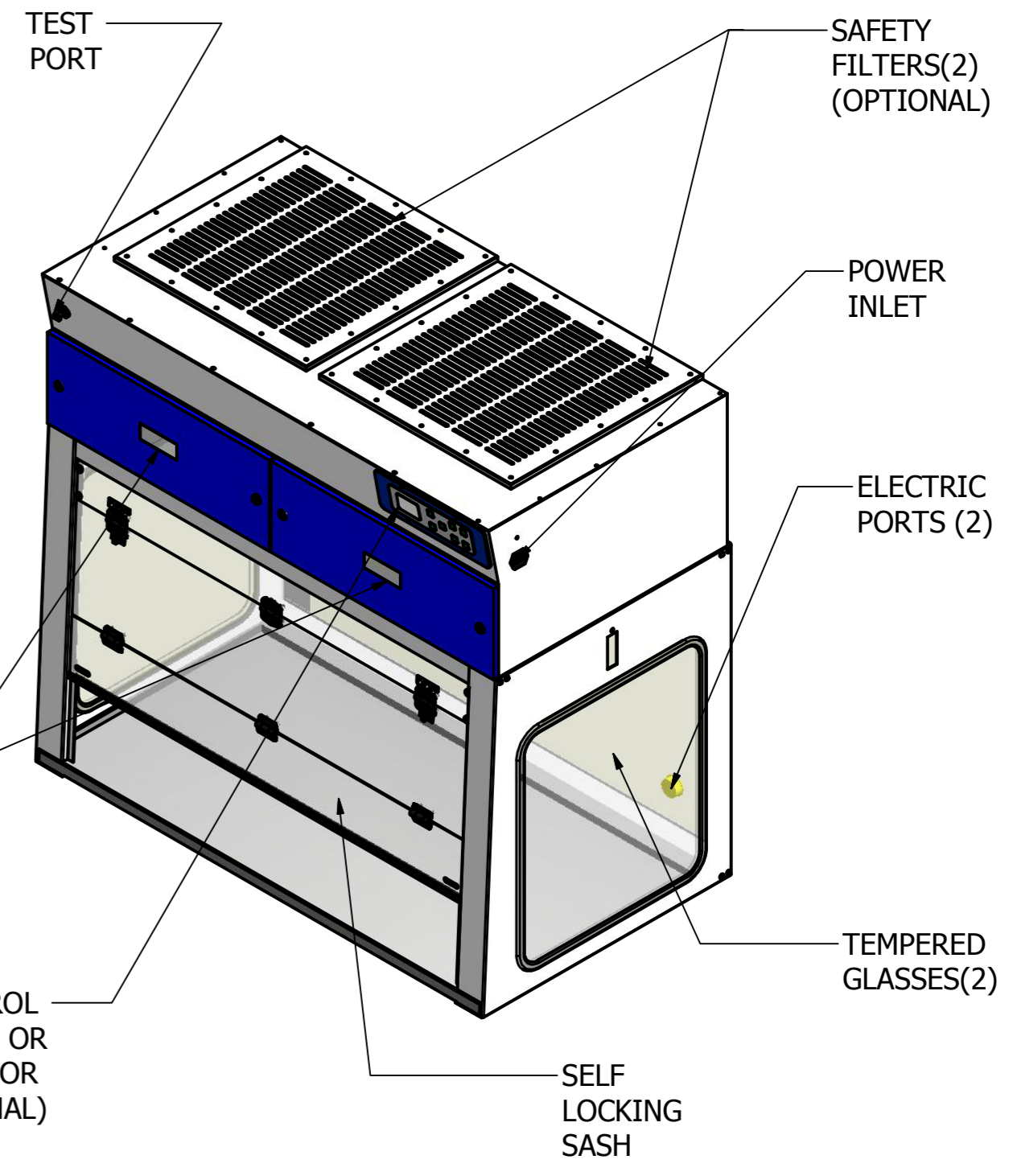


REVISION HISTORY				
ZONE	REV	DESCRIPTION	DATE	APPROVED
SIDE PANELS	1	TEMPERED GLASSES	5/17/2017	P CH



- NOTES:**
- STANDARD IN ALL UNITS:
- 1.0 CONSTRUCTION: EPOXY COATED MID STEEL SIDES PANELS AND HEAD UNIT.
 - 2.0 FRONT, SIDES AND BACK PANELS MADE ON CLEAR ACRYLIC OF 1/4".
 - 3.0 TEMPERED GLASSES ON SIDE PANELS.
 - 4.0 CENTRIFUGAL FAN.
 - 5.0 POWER SUPPLY 110V 60Hz.
 - 6.0 MAIN SWITCH ON/OFF.
 - 7.0 MONITORING, LOW AIRFLOW.

A-A (1 : 10)



B-B (1 : 10)

Designed by CFG	Checked by	Approved by	Date 12/10/2008	Date
AIR SCIENCE USA		PURAIR 20 DUCTLESS FUME HOOD		
Purair20-UL.Assem			Edition 1	Sheet 1 / 1