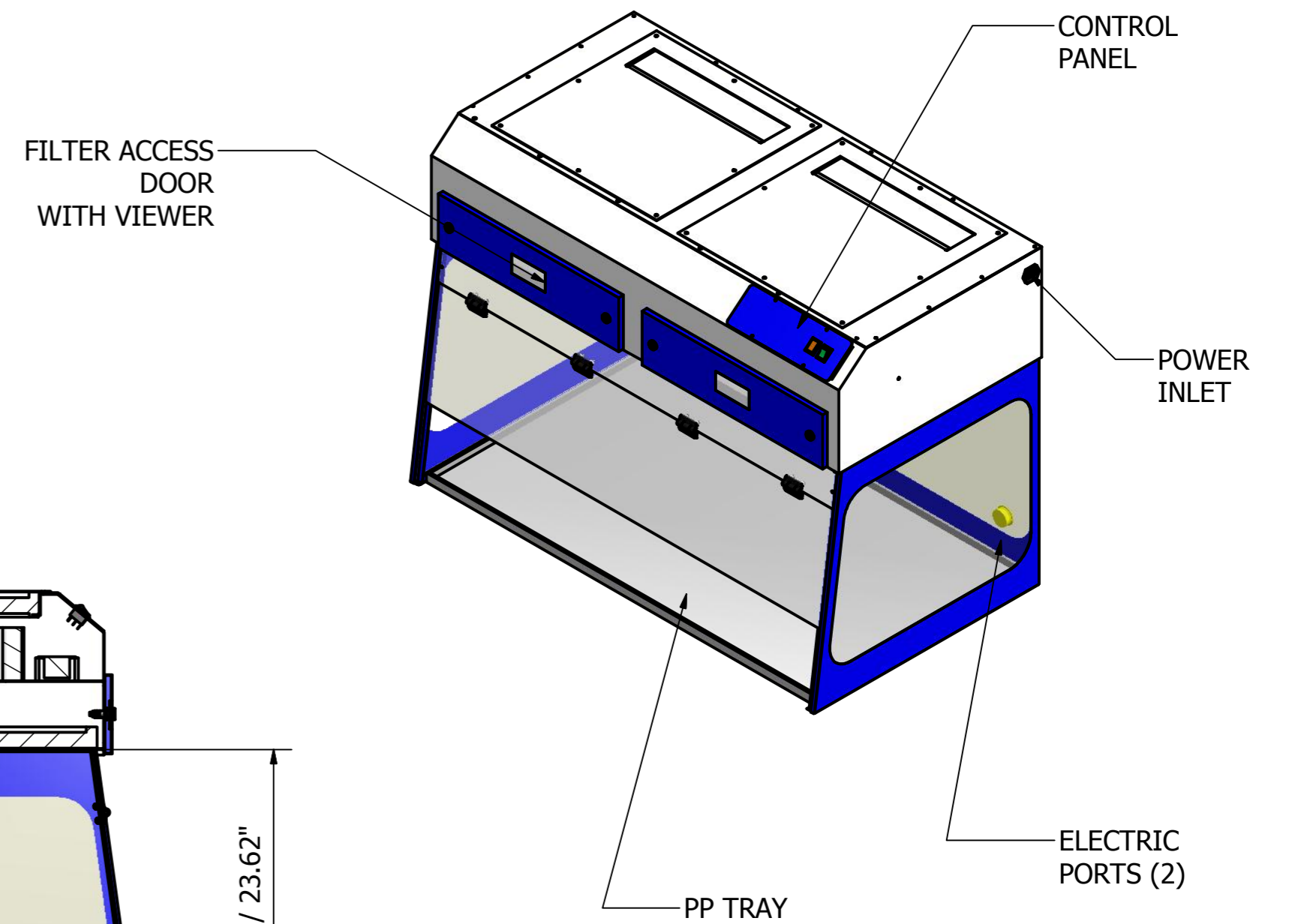


A-A (1 : 10)



NOTES:

- STANDARD ON ALL UNITS:
 1.0 CONSTRUCTION: EPOXY COATED MILD STEEL HEAD UNIT AND COLUMNS.
 2.0 FRONT, SIDES AND BACK PANELS MADE ON CLEAR ACRYLIC OF 1/4".
 3.0 CENTRIFUGAL FAN
 4.0 POWER SUPPLY 110V 60Hz
 5.0 SWITCHES, MAIN ON/OFF
 6.0 MONITORING, LOW AIRFLOW

Designed by CFG	Checked by	Approved by	Date 4/30/2013	Date
AIR SCIENCE USA		P5.48AXT-R12		
		P548AR12	Edition	Sheet 1 / 1