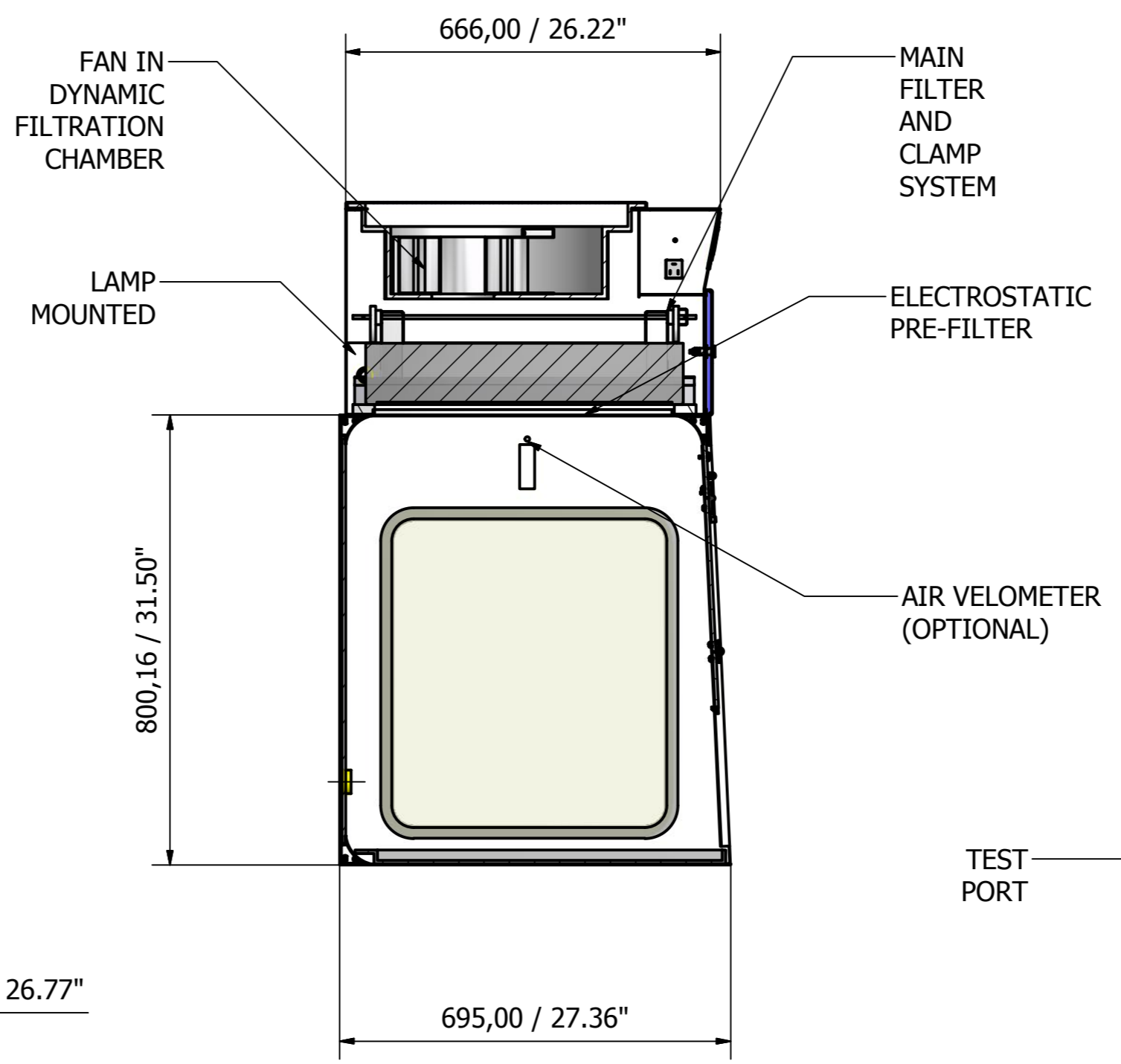
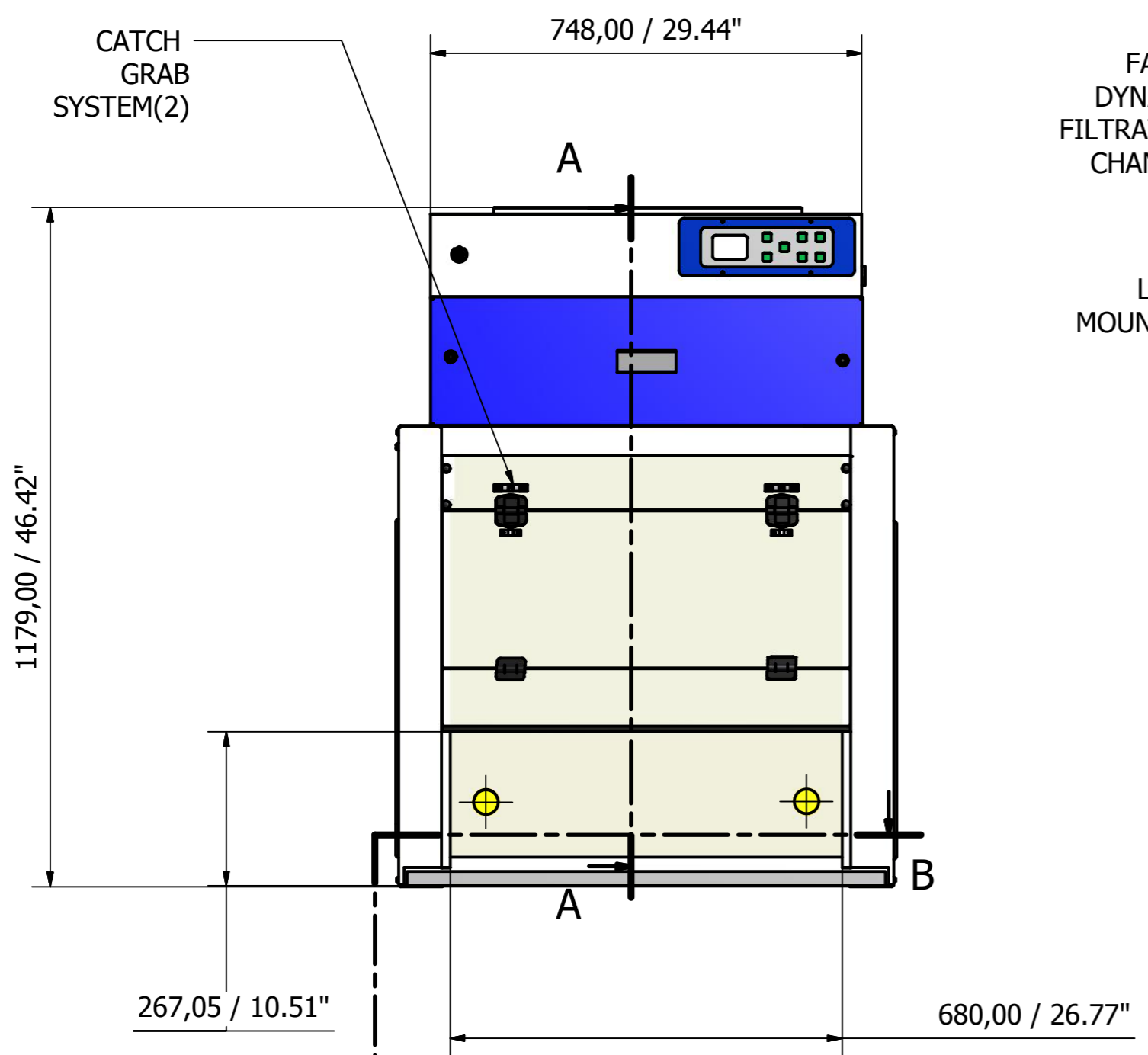
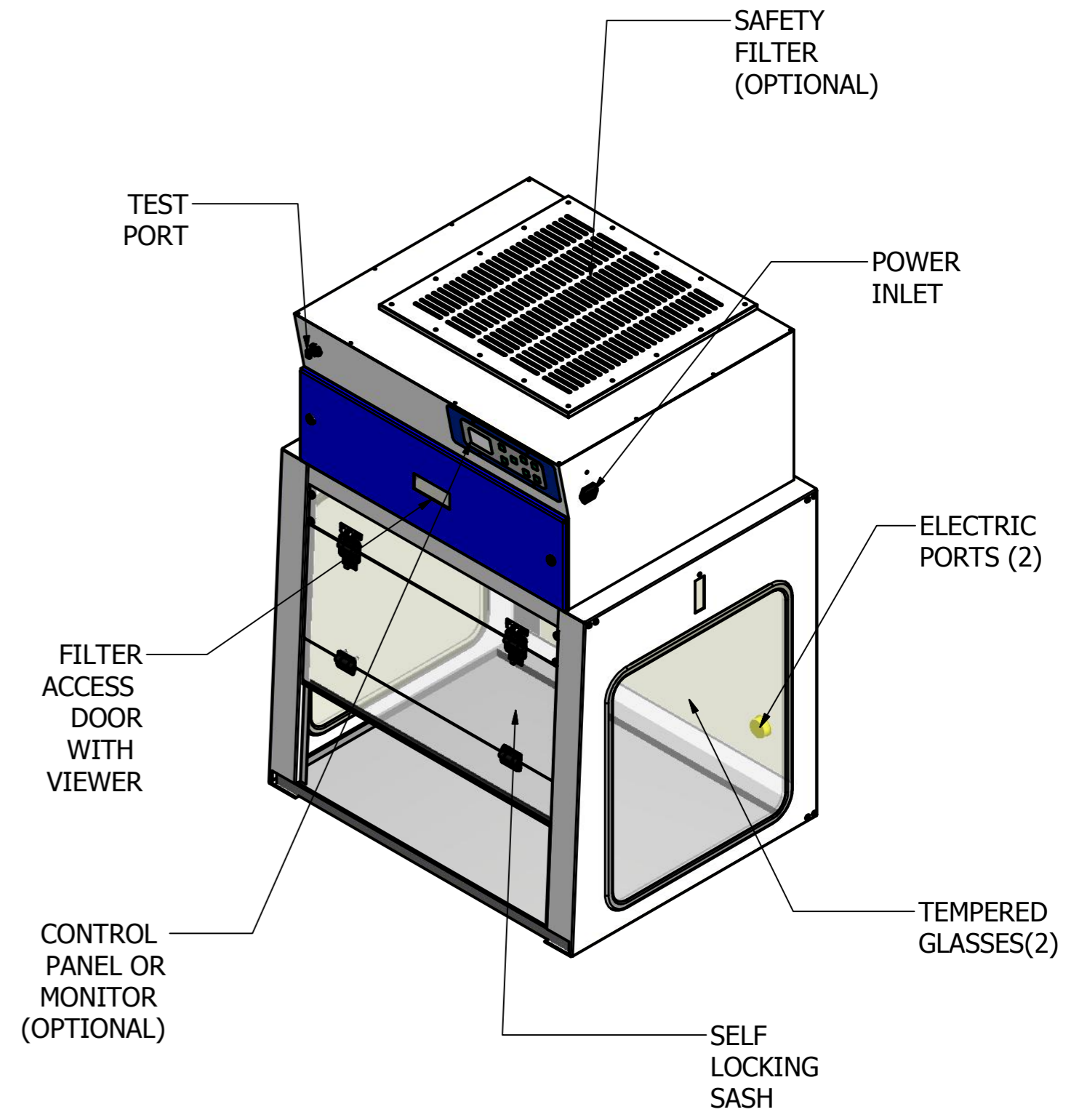
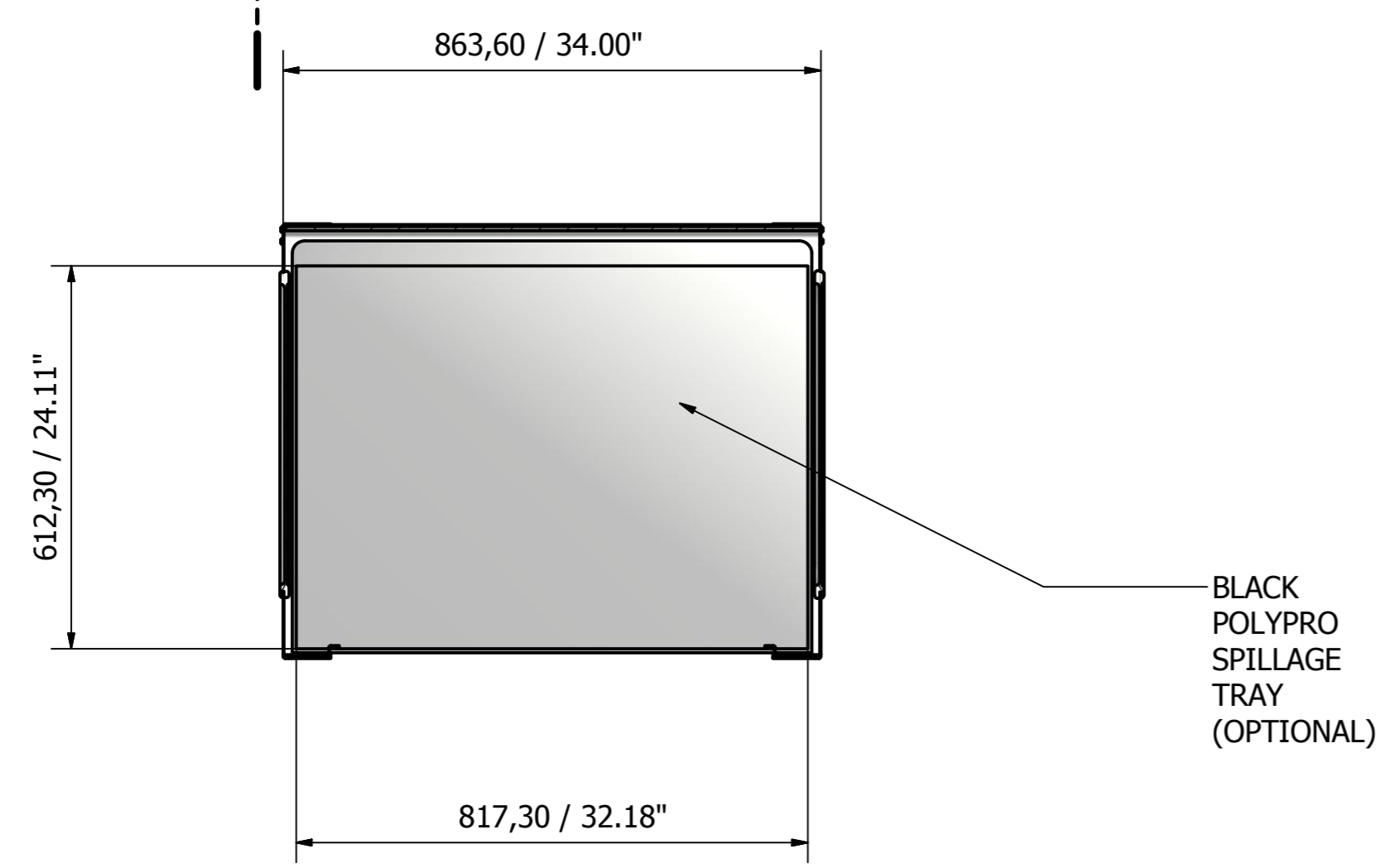


REVISION HISTORY

ZONE	REV	DESCRIPTION	DATE	APPROVED
SIDE PANELS	1	TEMPERED GLASSES	3/22/2015	P CH



- NOTES:
- STANDARD ON ALL UNITS:
  - 1.0 CONSTRUCTION: EPOXY COATED MID STEEL SIDES PANELS AND HEAD UNIT.
  - 2.0 FRONT AND BACK PANELS MADE ON CLEAR ACRYLIC OF 1/4".
  - 3.0 TEMPERED GLASSES ON SIDE PANELS.
  - 4.0 CENTRIFUGAL FAN
  - 5.0 POWER SUPPLY 110V 60Hz
  - 6.0 MAIN SWITCH ON/OFF
  - 7.0 MONITORING, LOW AIRFLOW



Designed by CFG	Checked by	Approved by	Date	Date 12/10/2008
AIR SCIENCE USA		PURAIR 10XL DUCTLESS FUME HOOD		
		Purair10XL-UL.Assem	Edition 1	Sheet 1 / 1