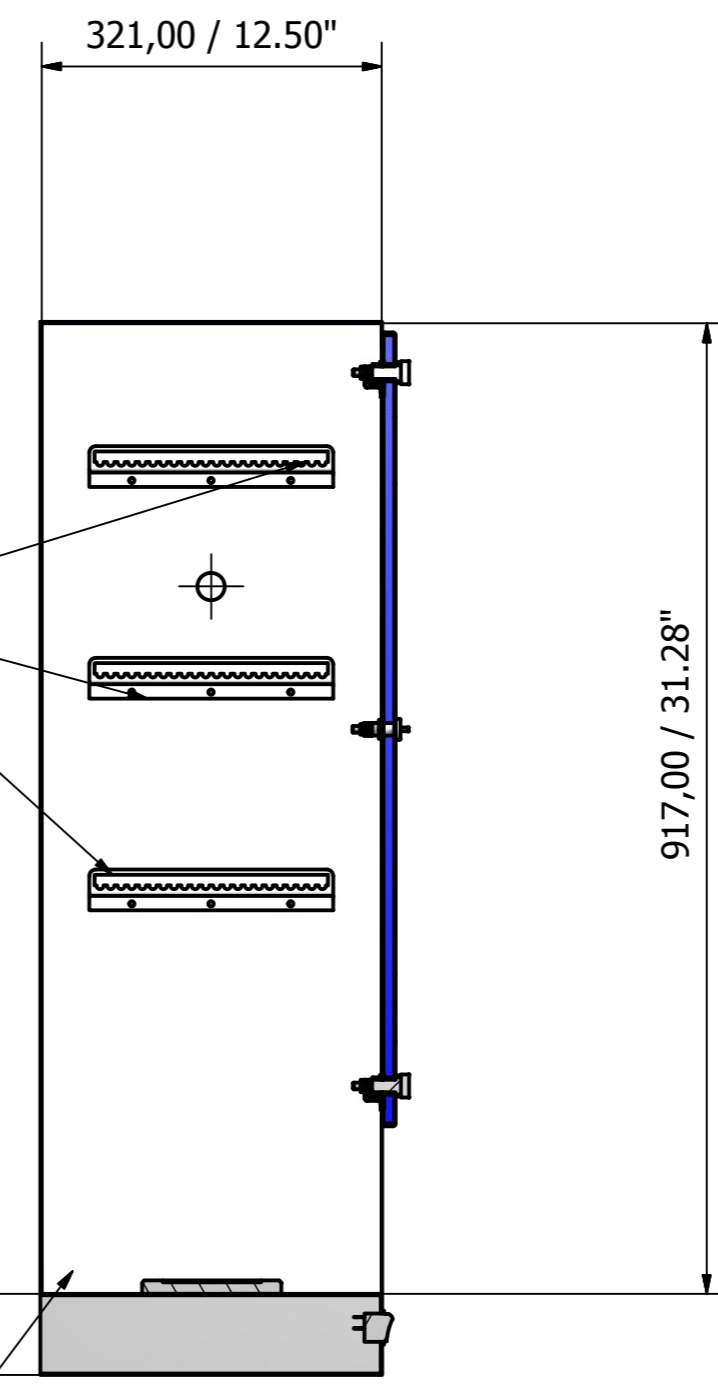
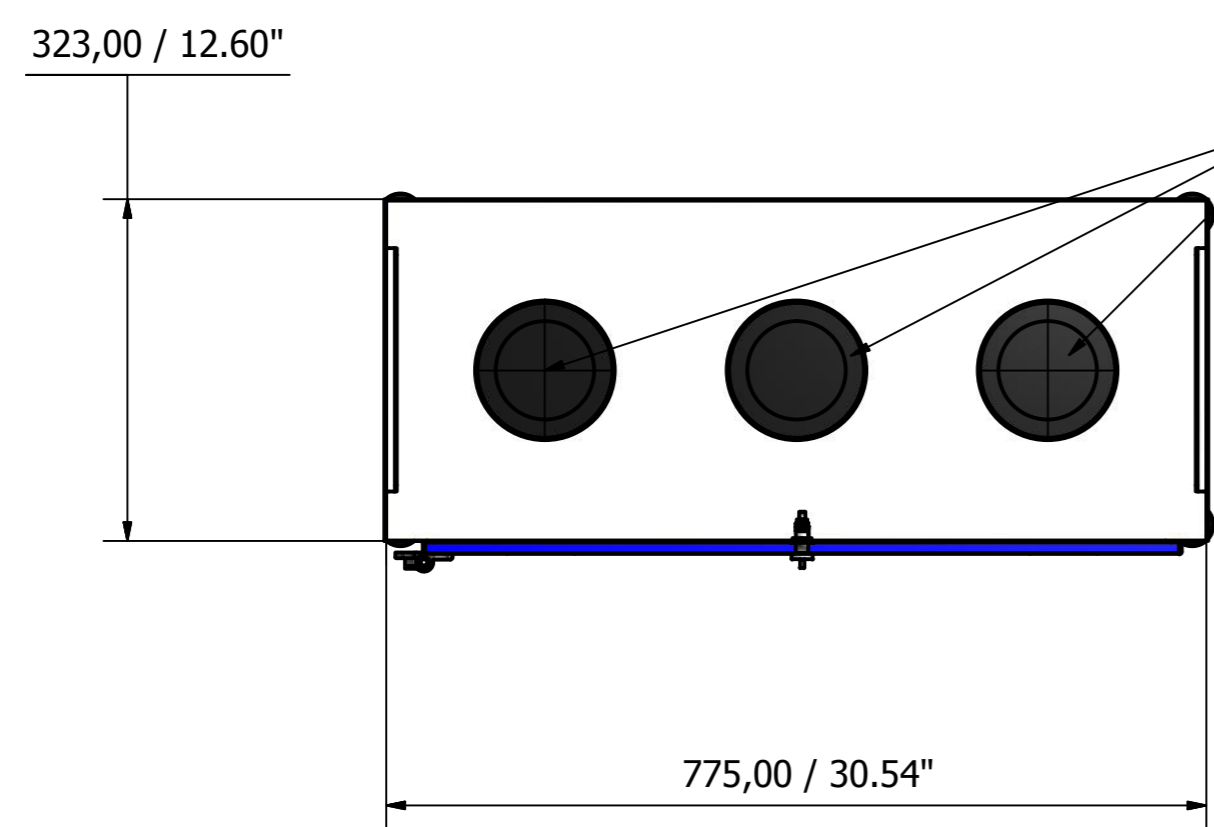


EVIDENCE
SUPPORT
RODS



ELECTRICAL
BOX WIRING

B-B (0.14 : 1)

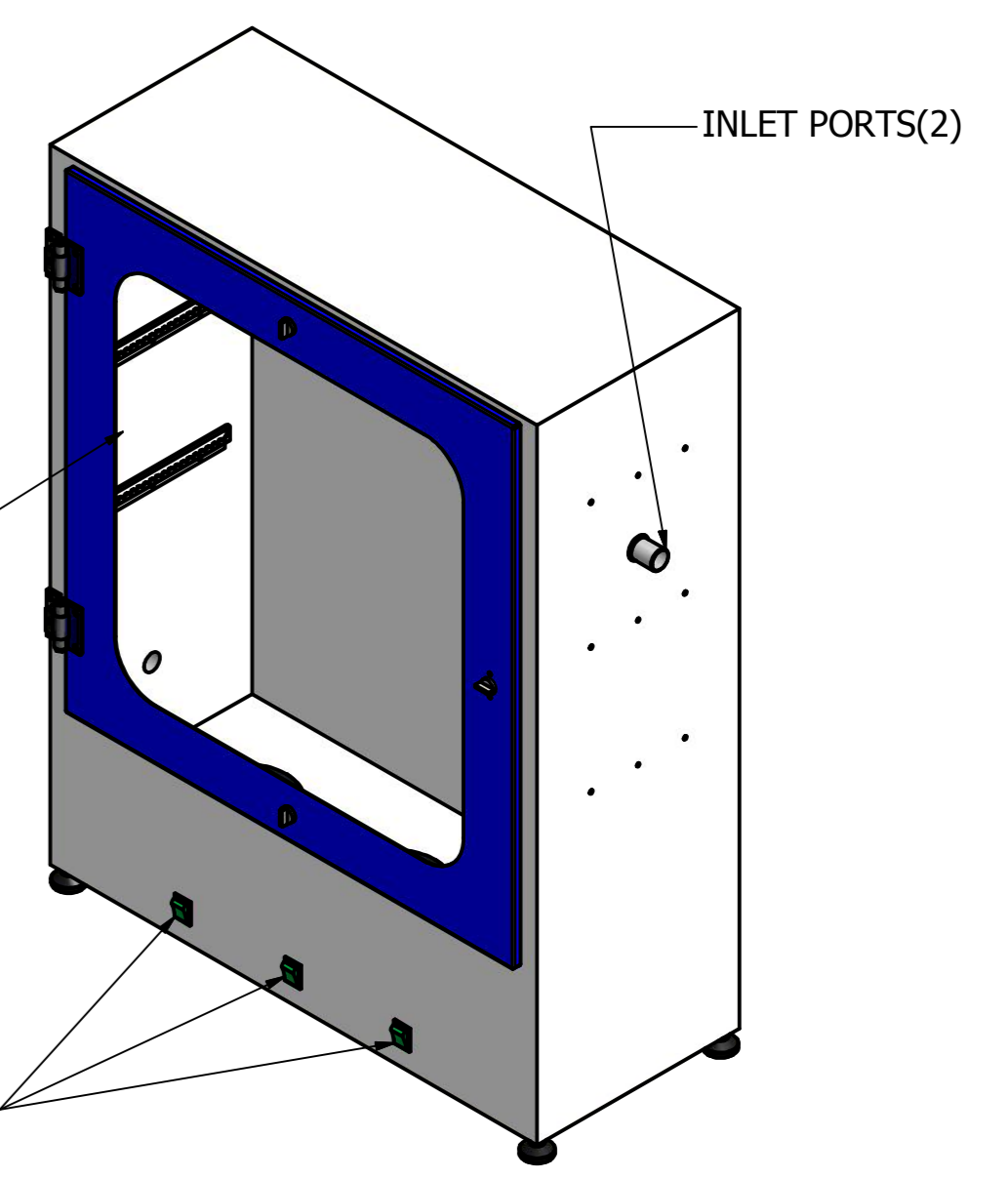


HEATING
ELEMENTS (3)

A-A (0.14 : 1)

FRONT DOOR
CLEAR POLYCARB
PANEL

SWITCH
ON/OFF (3)



Designed by CG	Checked by	Approved by	Date 4/11/2011	Date
AIR SCIENCE USA		CYANOACRYLATE BLC-6.5CF FUMING		
		BLC6.5.GAssem-R1	Edition R3	Sheet 1 / 1