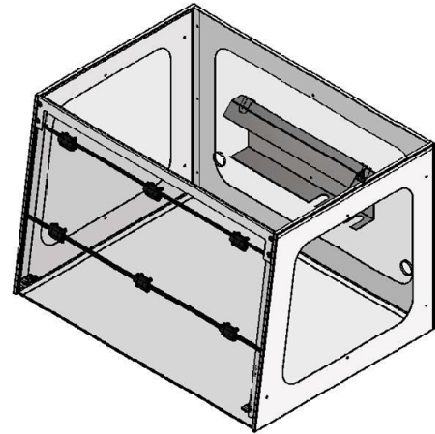


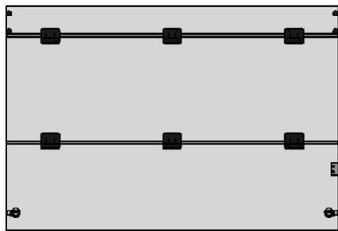
PCR SERIES ENCLOSURE ASSEMBLY GUIDE

THIS PACKAGE SHOULD CONTAIN:

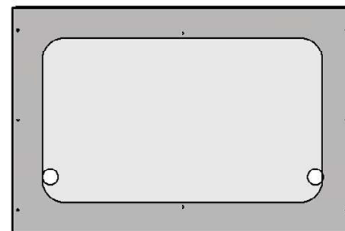
- 1X FRONT SASH
- 1X BACK PANEL
- 1X SIDE PANEL
- 1X SIDE PANEL AND UV SENSOR
- 1X FRONT SASH SUPPORT
- 12X M4 BOLTS
- 12X M4 NUTS
- 12X M4 WASHER
- 12X BOLT CAPS



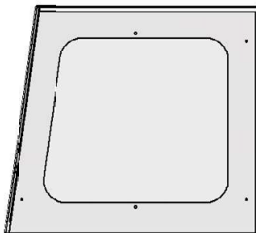
FRONT SASH



BACK PANEL



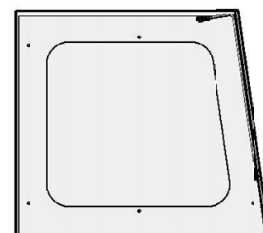
SIDE PANEL



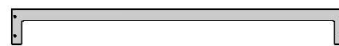
UV LAMP



SIDE PANEL AND UV SENSOR

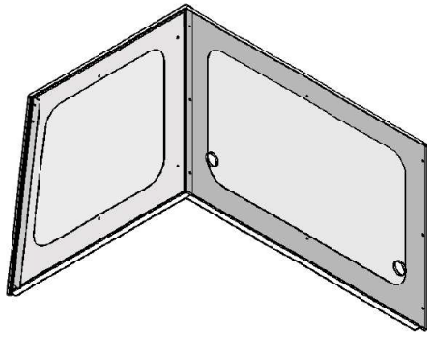


FRONT SASH SUPPORT



M4 BOLT, WASHER, AND NUT WITH CAP X12





INSERT BACK WALL INTO
THE SLOT OF THE SIDE WALL.
SEE IMAGE 1-2 FOR DETAIL

IMAGE 1-1

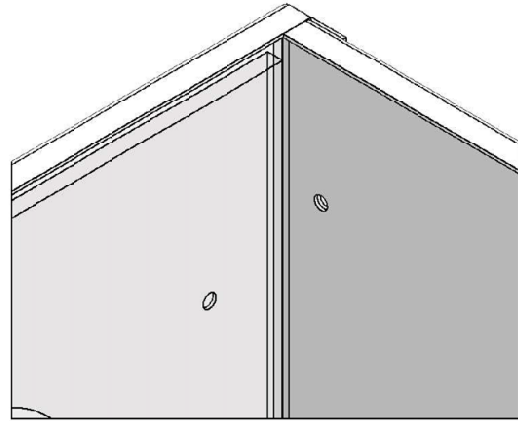
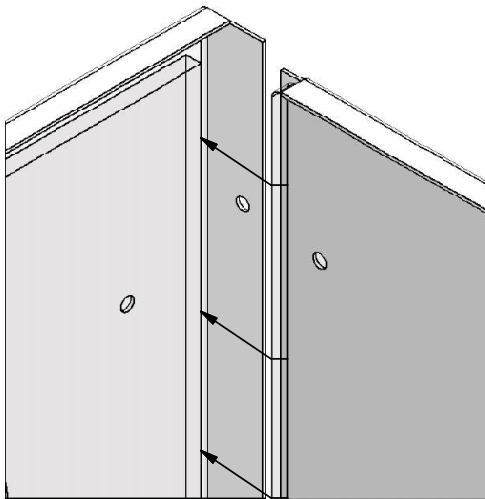
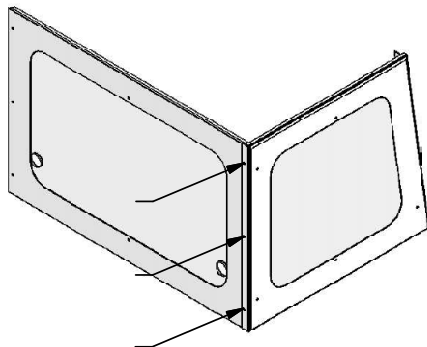


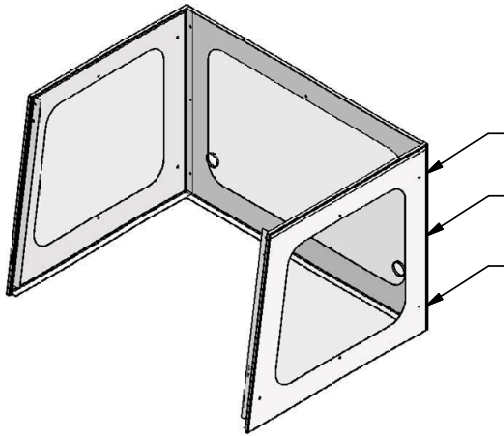
IMAGE 1-2-1

IMAGE 1-2-2



BOLT SIDE WALLS TO THE BACK WALL.
3X BOLTS AND NUTS PER SIDE

IMAGE 1-3



DO THE SAME WITH THE OPPOSING SIDE WALL
3X BOLTS AND NUTS

IMAGE 1-4

ATTACH UV LIGHT BOX INSIDE ENCLOSURE SPACE
2X BOLTS AND NUTS

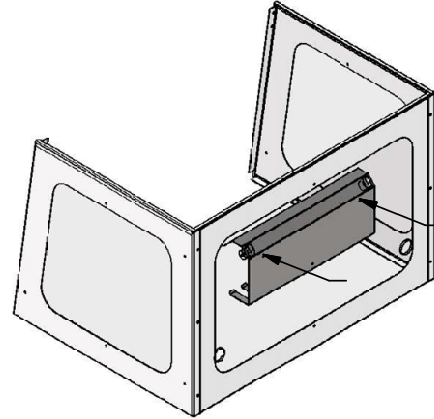


IMAGE 1-5

ATTACH THE FRONT SASH AND
THE SUPPORT AND SIDE WALLS.
4X BOLTS AND NUTS

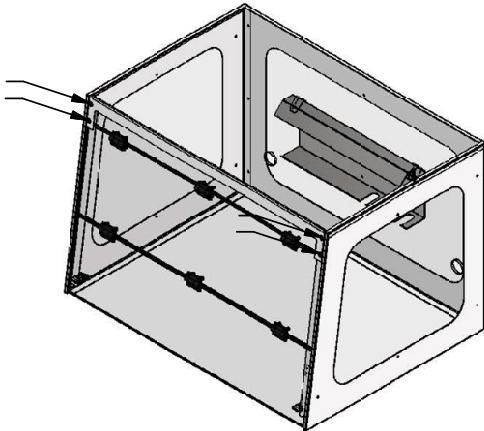


IMAGE 1-6

ENCLOSURE IS NOW READY FOR THE HEAD UNIT.
ENSURE THE UV LIGHT AND SENSOR ARE
PROPERLY ATTACHED POST INSTALLATION

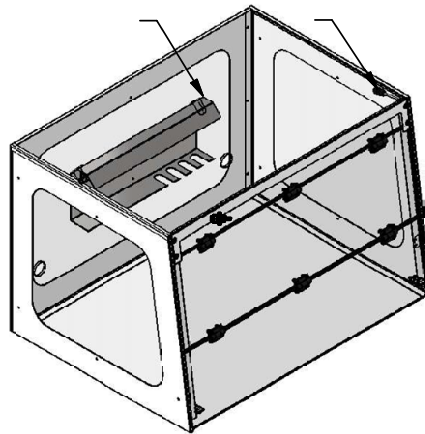


IMAGE 1-7

