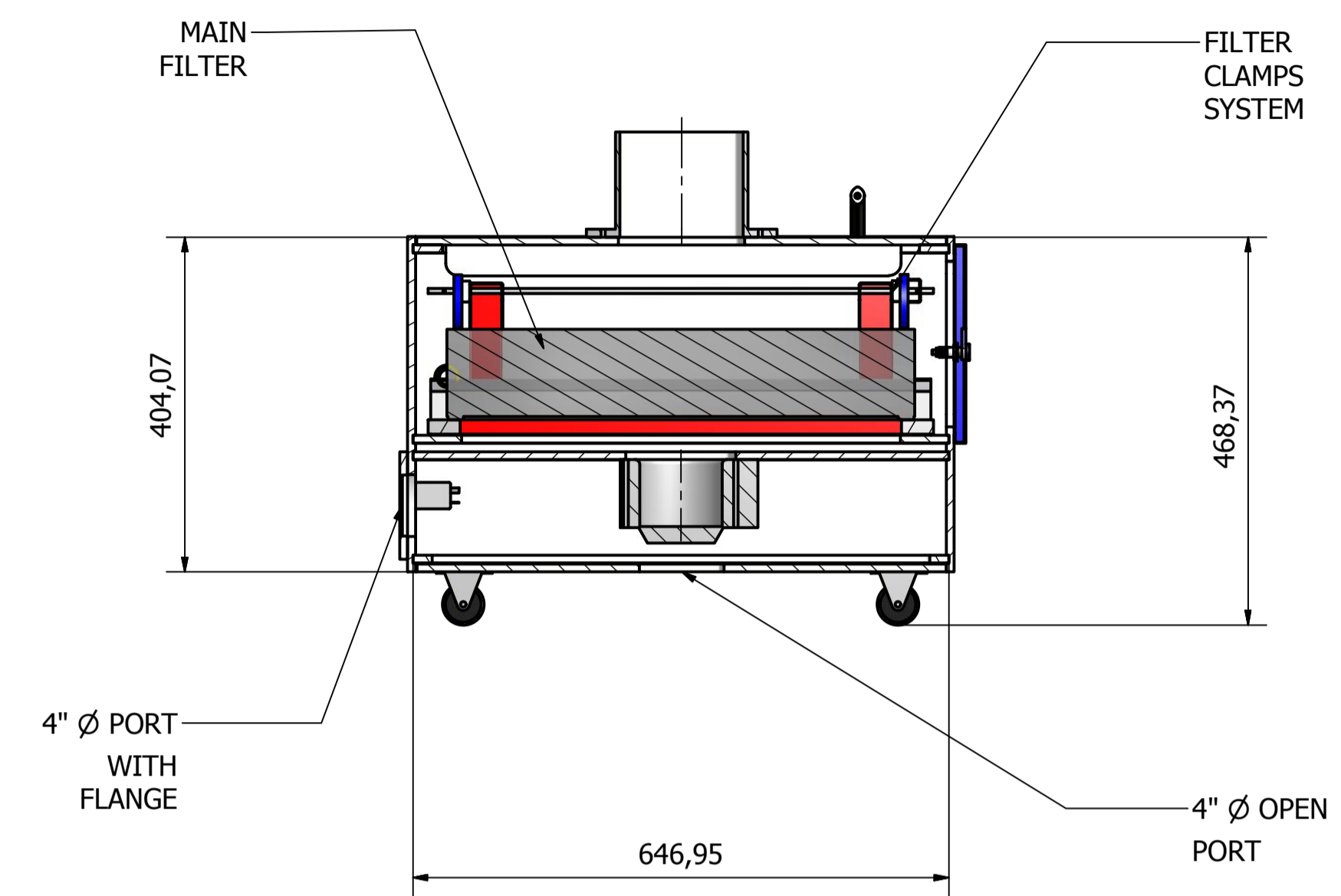
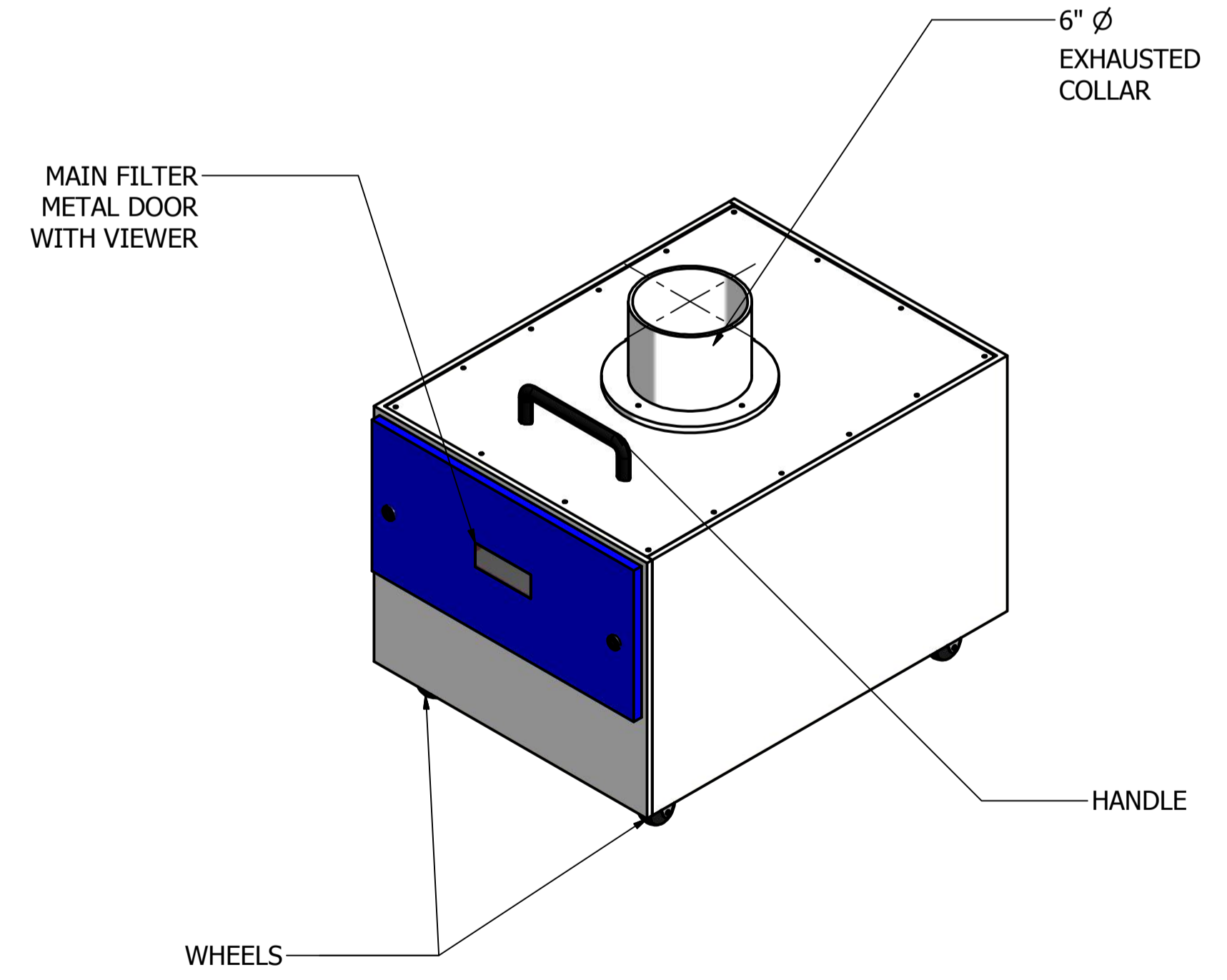


B-B (1 : 7)



A-A (1 : 7)



- NOTES:**
- 1.0 CUSTOMER:
 - 2.0 SUBMIT DRAWINGS FOR APPROVAL.
 - 3.0 INCLUDED:
 - 3.1 STANDARD ITEMS APPLIED.
 - 3.2 BODY BUILT WITH 3/8" WHITE POLYPROPYLENE, SEAMLESS, NON-POROUS WATERTIGHT INSIDE, THERMALLY FUSE.
 - 4.0 STANDARD MOLDED PLUG NEMA 4-14P
 - 5.0 ELECTRICAL REQUIREMENTS 110V 6A 60 HZ

Designed by cgranados	Checked by	Approved by	Date 7/17/2012	Date
AIR SCIENCE USA			VEFE FILTER MODULE	
VE-FES-R12Det.Assem			Edition	Sheet 1 / 1