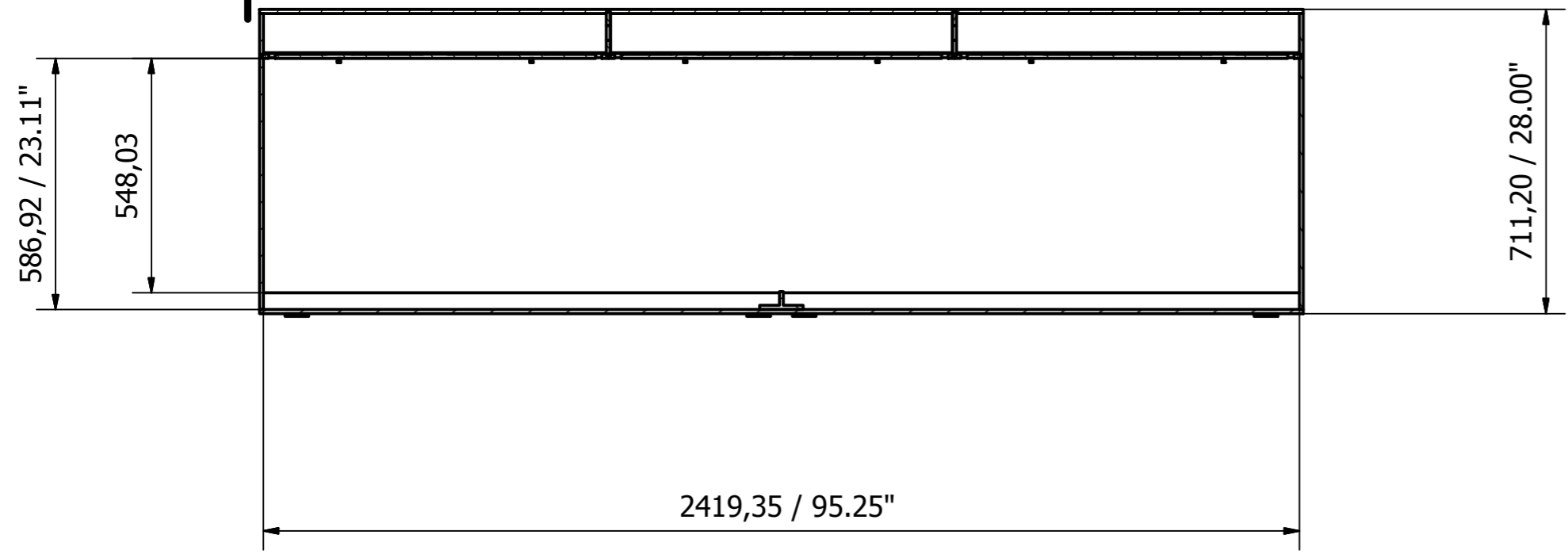
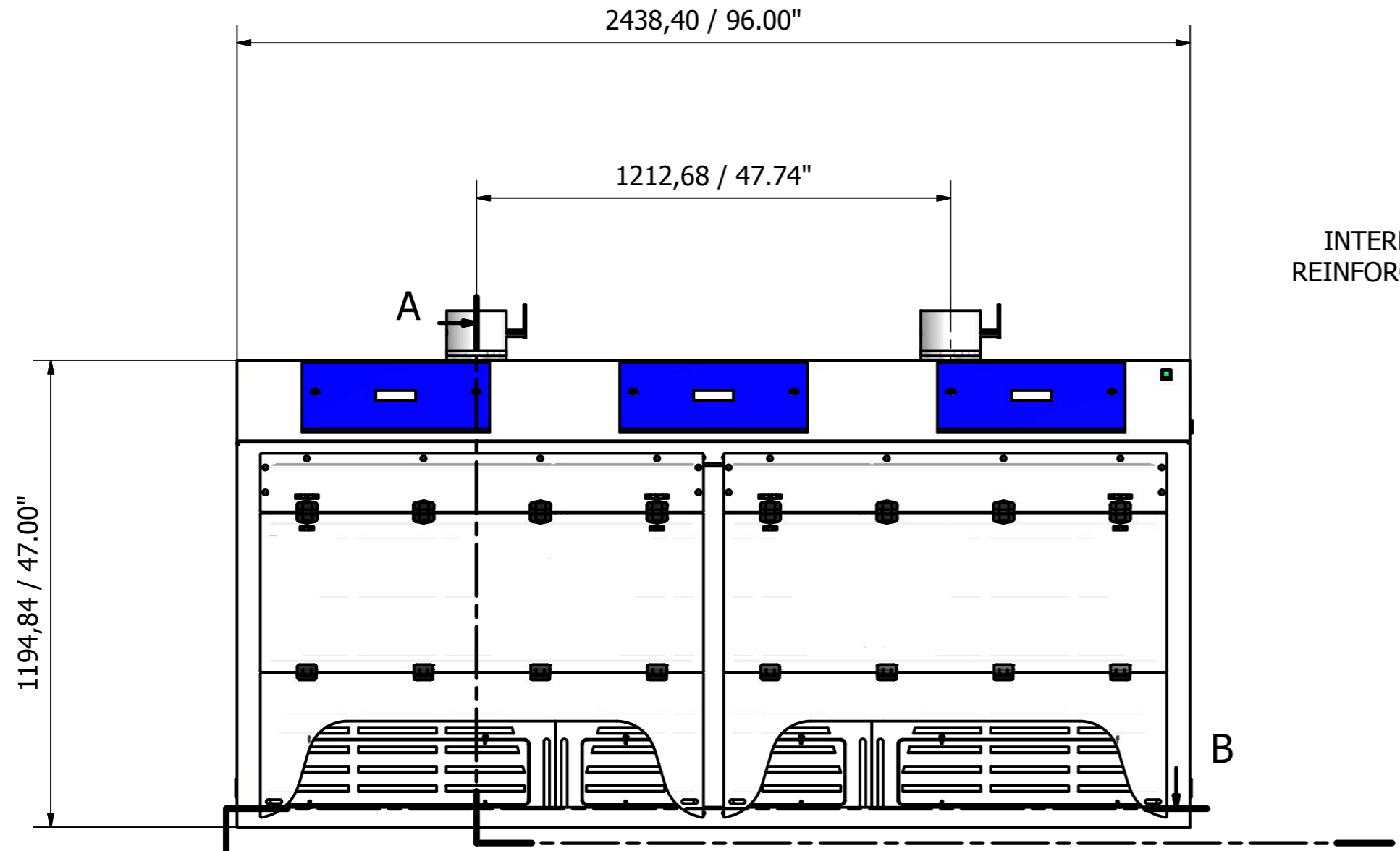
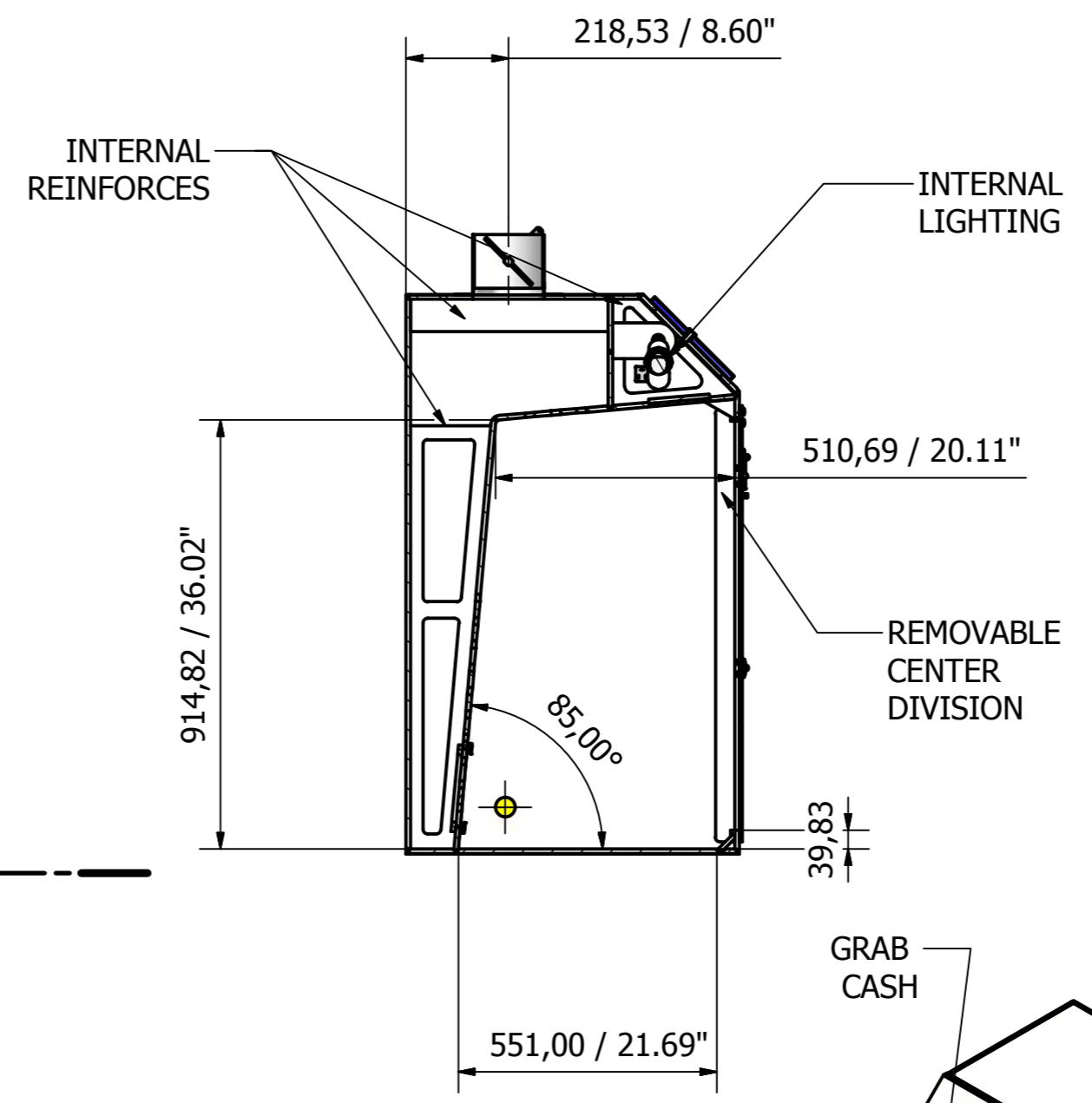


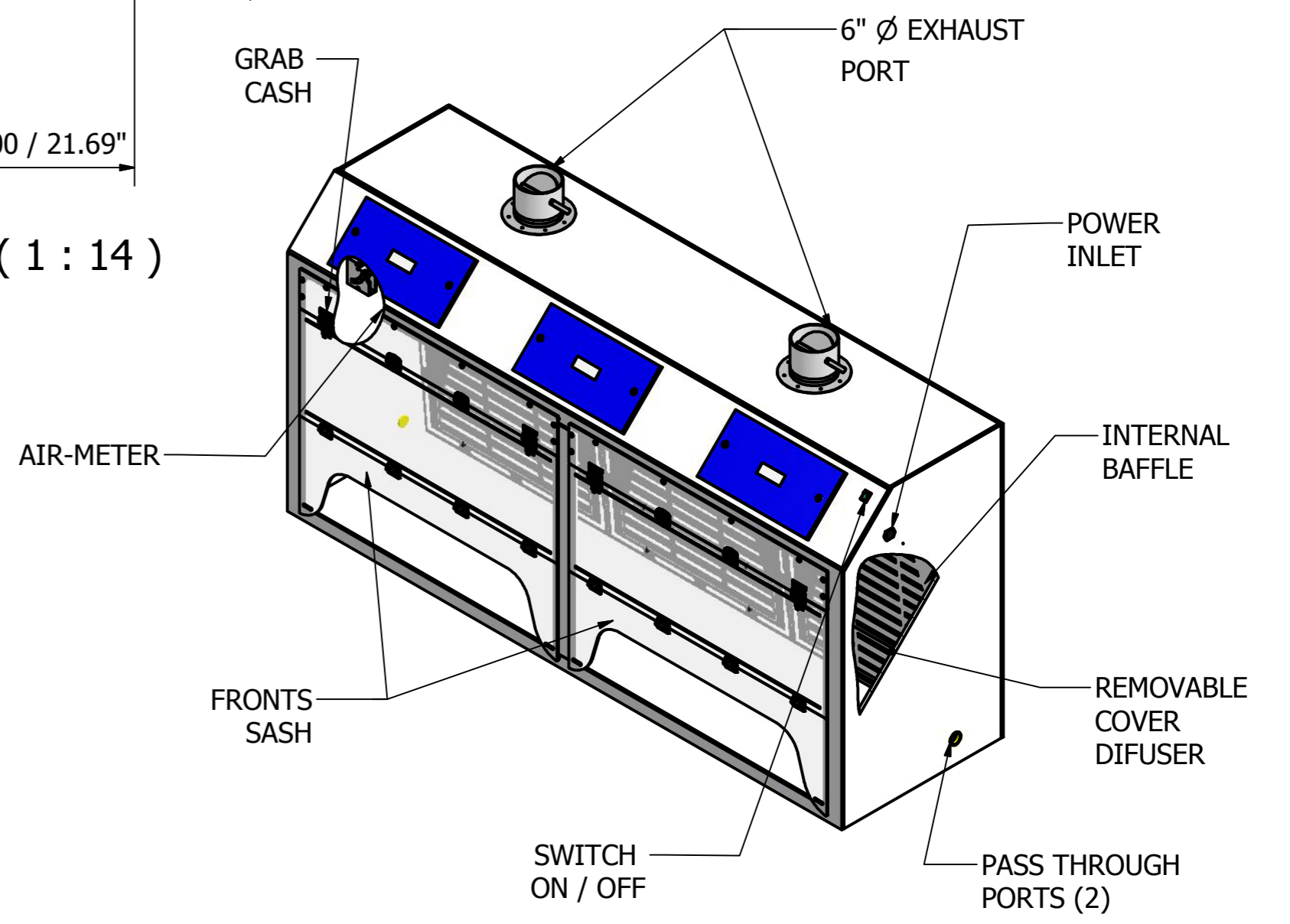
REVISION HISTORY				
ZONE	REV	DESCRIPTION	DATE	APPROVED
INTERNSL	1	BAFFLE DESIGN UPDATE	1/06/2013	P CH



B-B ( 1 : 14 )



A-A ( 1 : 14 )



**NOTES:**

- 1.0 CUSTOMER:
- 2.0 SUBMIT DRAWINGS FOR APPROVAL.
- 3.0 INCLUDED:
- 3.1 STANDARD ITEMS APPLIED.
- 3.2 SEAMLESS POLYPRO WORK SURFACE.
- 3.3 EXHAUST CONNECTION 6" Ø COLLAR.
- 3.4 DOUBLE HINGED SELF LOCKING FRONT SASH.
- 3.5 INTERNAL BAFFLE SYSTEM.
- 3.6 AIR VELOMETER, AIRFLOW CHECKING.
- 3.7 PASS TROUGH PORTS.
- 3.8 INTERNAL LIGHTNING.
- 4.0 CABINET BUILT WITH 3/8" WHITE POLYPROPYLENE, SEAMLESS, NON-POROUS WATERTIGHT INSIDE, THERMALLY FUSE.
- 5.0 POWER SWITCH ON/OFF.
- 6.0 ELECTRICAL REQUIREMENTS 110V 6A 60 HZ
- 7.0 W/O

Designed by CFG	Checked by	Approved by	Date 1/14/2016	Date
AIR SCIENCE USA		PTEFH-96 EXHAUST FUME HOOD		
PTEFH96.GAssem			Edition 1	Sheet 1 / 1