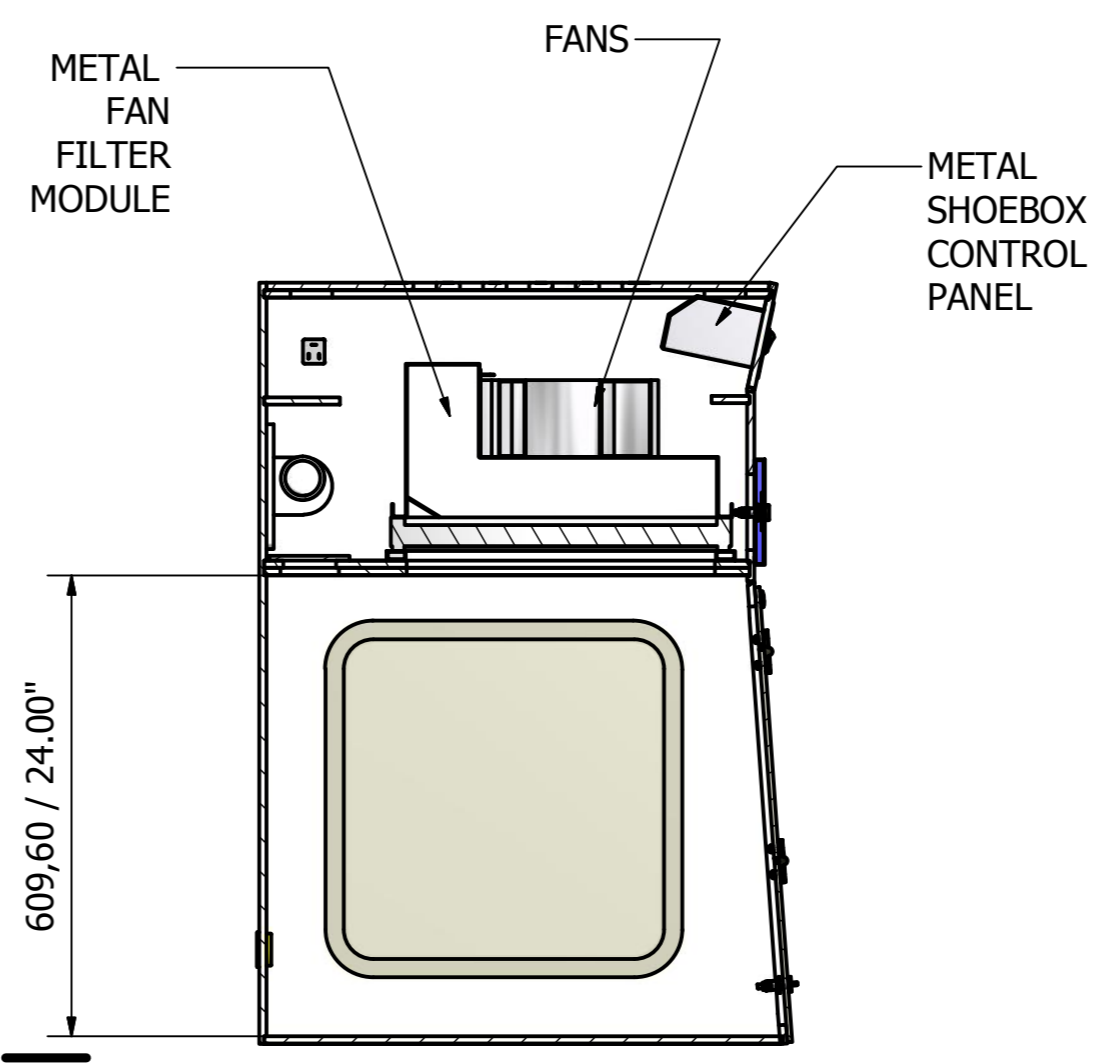
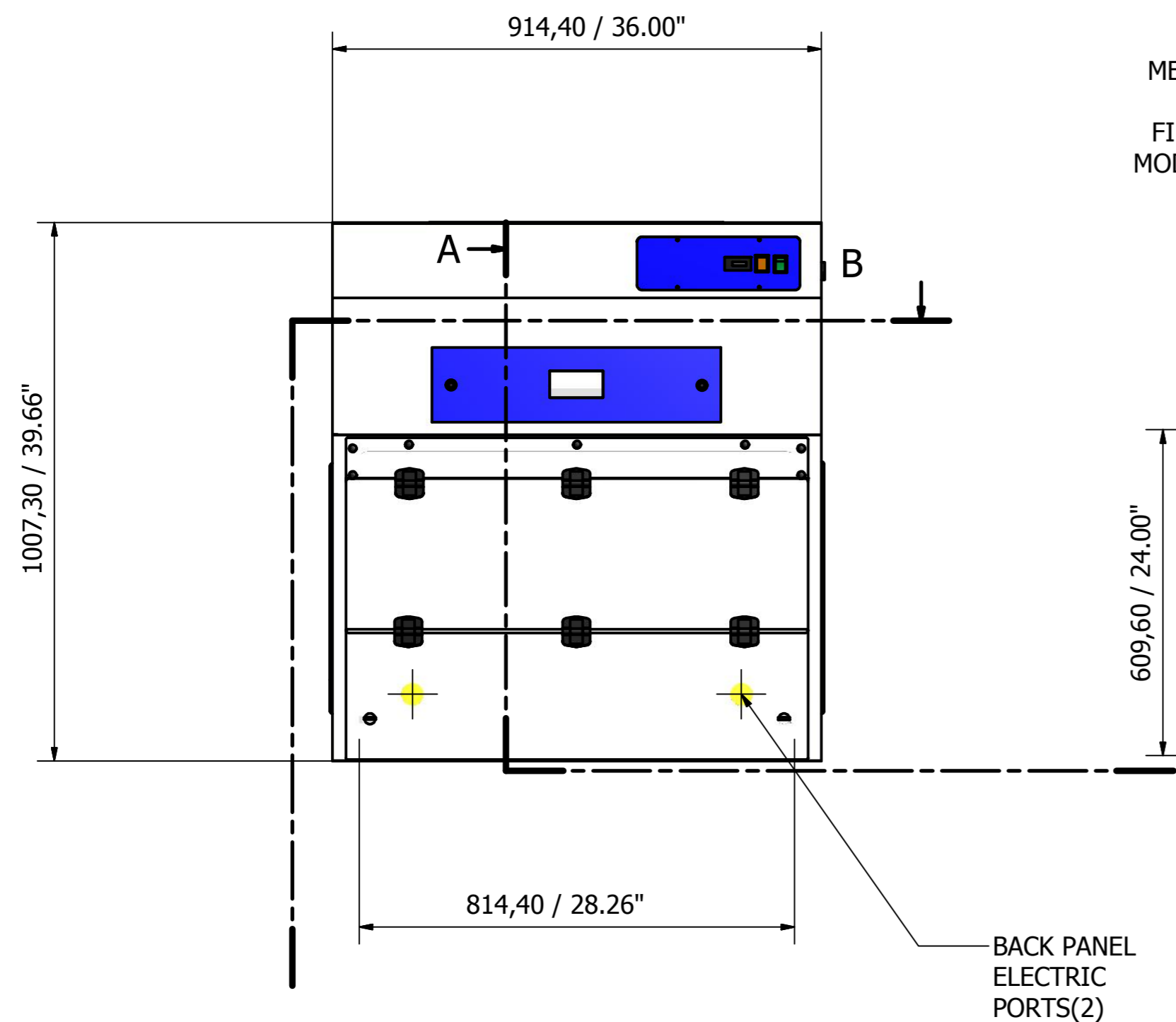
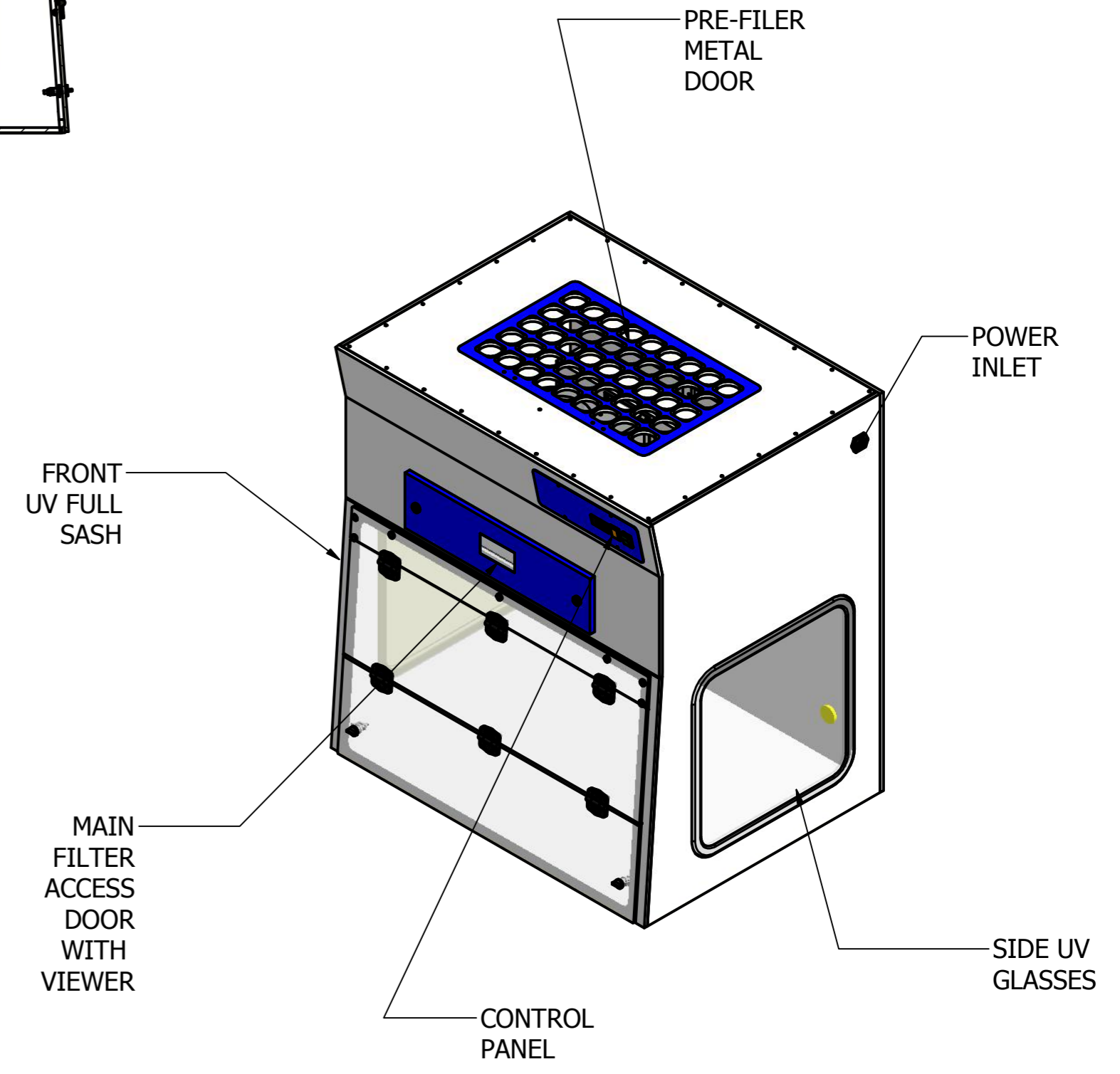
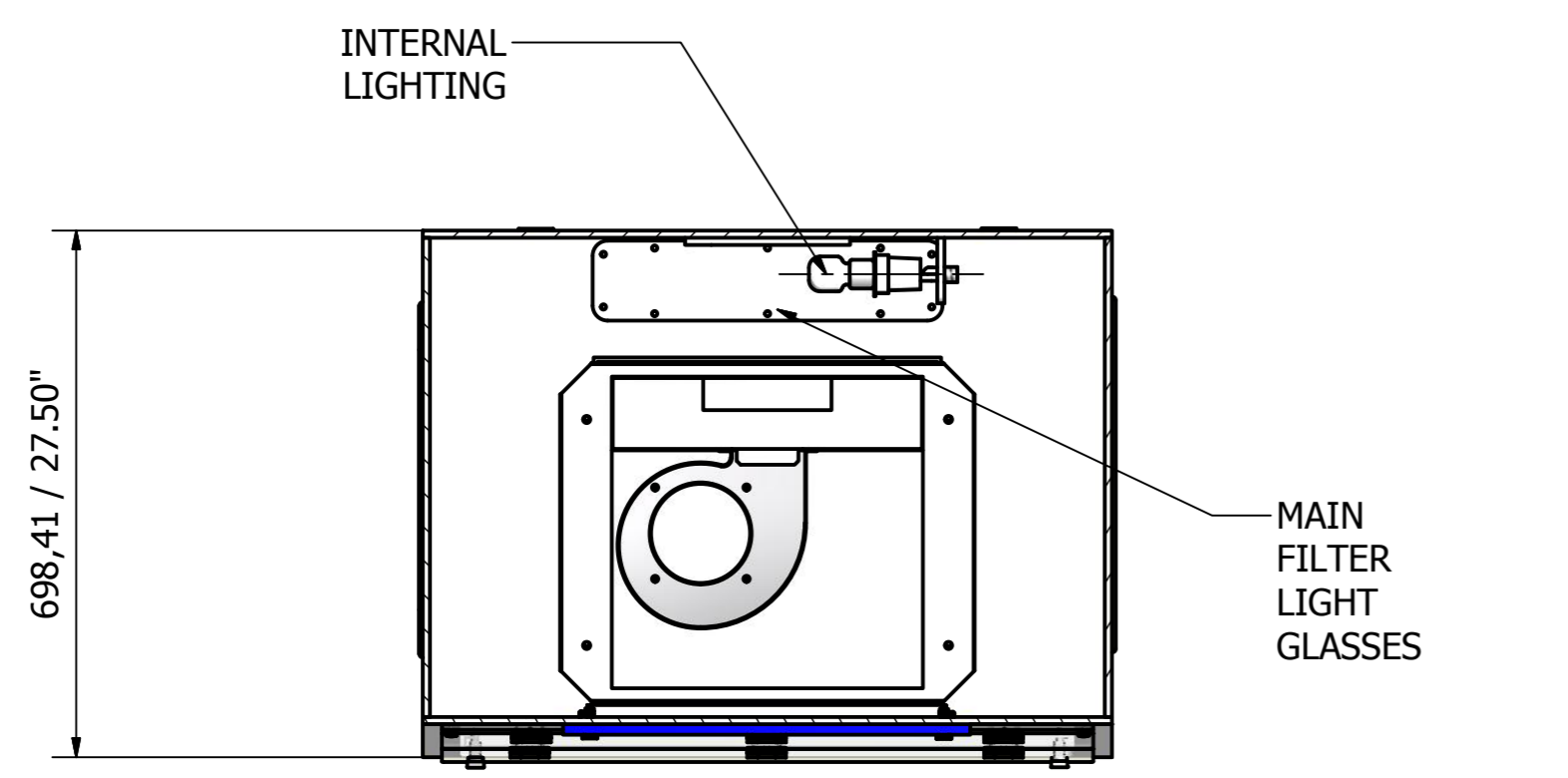


REVISION HISTORY				
ZONE	REV	DESCRIPTION	DATE	APPROVED
MF LEVEL	1	LIGHTS BASE POSITION	3/29/2017	P CH



- NOTES:**
- STANDARD ON ALL UNITS:
- 1.0 CONSTRUCTION: ENCLOSURE BUILT 3/8" POLYPRO SEAMLESS, NON-POROUS, WATER-TIGHT INSIDE, THERMALY FUSE. FAN MODULE BUILT EPOXY COATED MILD STEEL.
 - 2.0 FRONT AND SIDES PANELS MADE IN CLEAR POLYCARB 1/4".
 - 3.0 CENTRIFUGAL FAN
 - 4.0 POWER SUPPLY 110V 60Hz
 - 5.0 SWITCHES, MAIN ON/OFF
 - 6.0 MONITORING, LOW AIRFLOW



Designed by cfg	Checked by	Approved by	Date	Date 10/25/2017
AIR SCIENCE USA		POLYPRO PCR 36		
PPCR36-Gassembly			Edition 1	Sheet 1 / 1