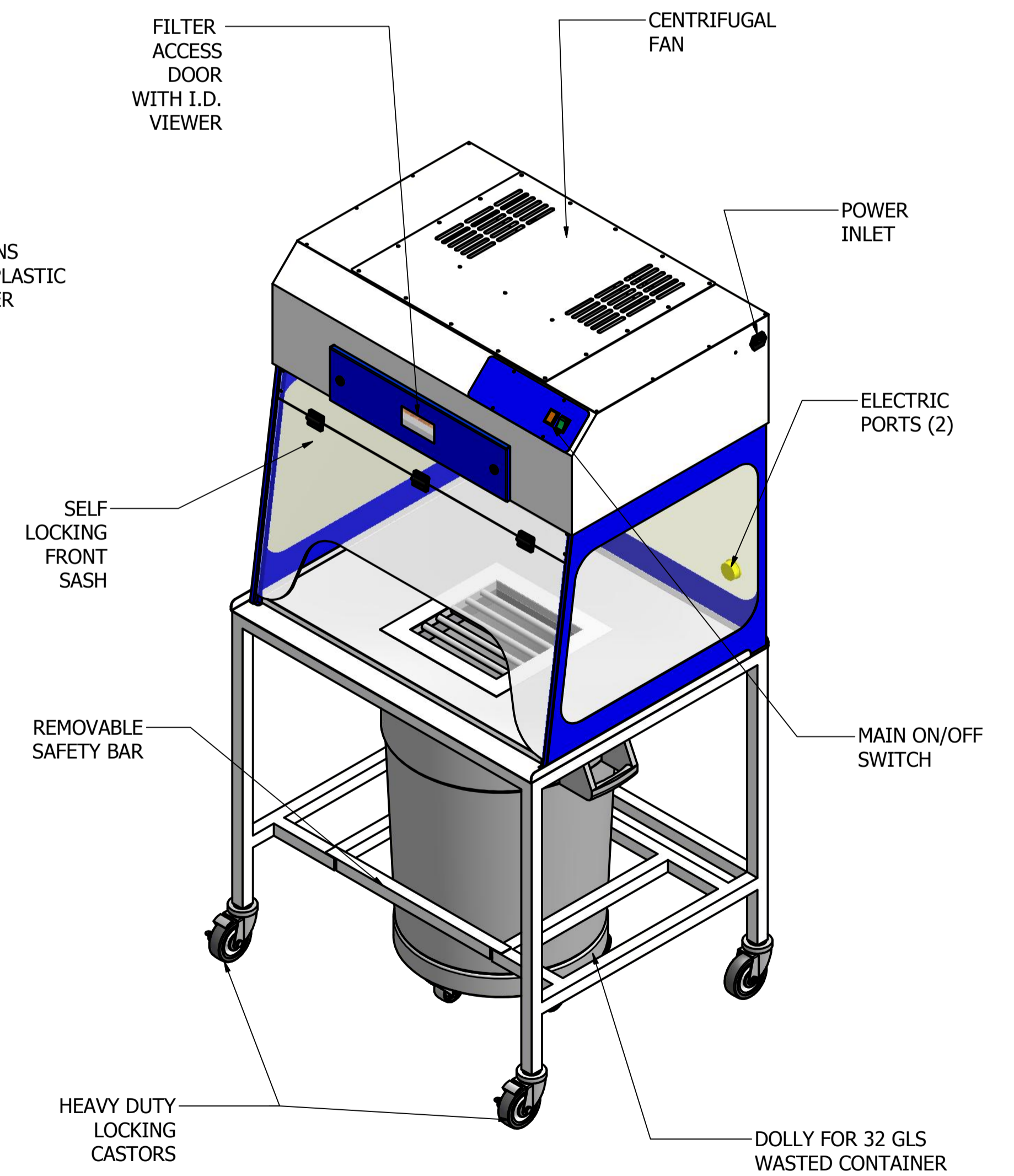
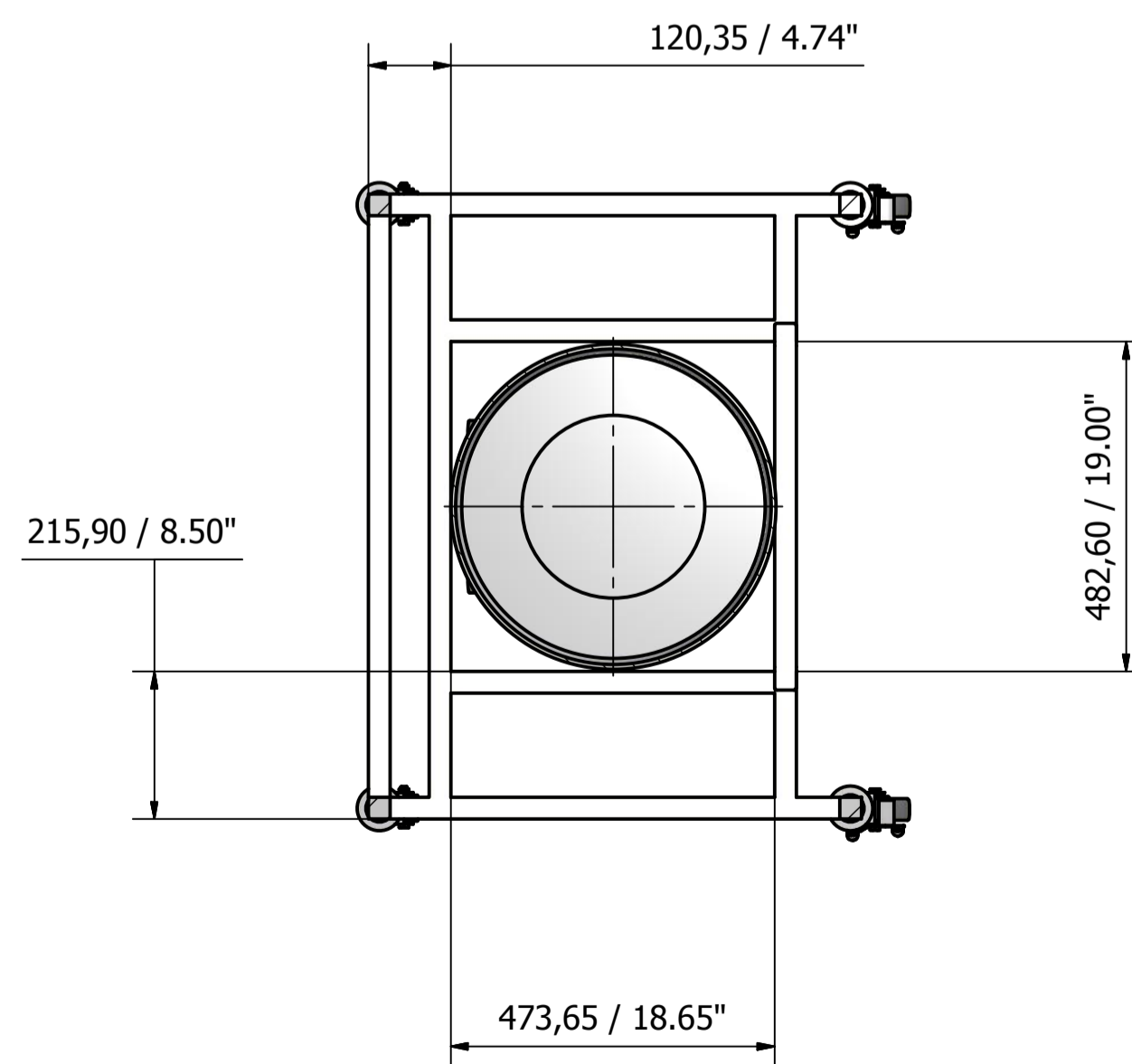
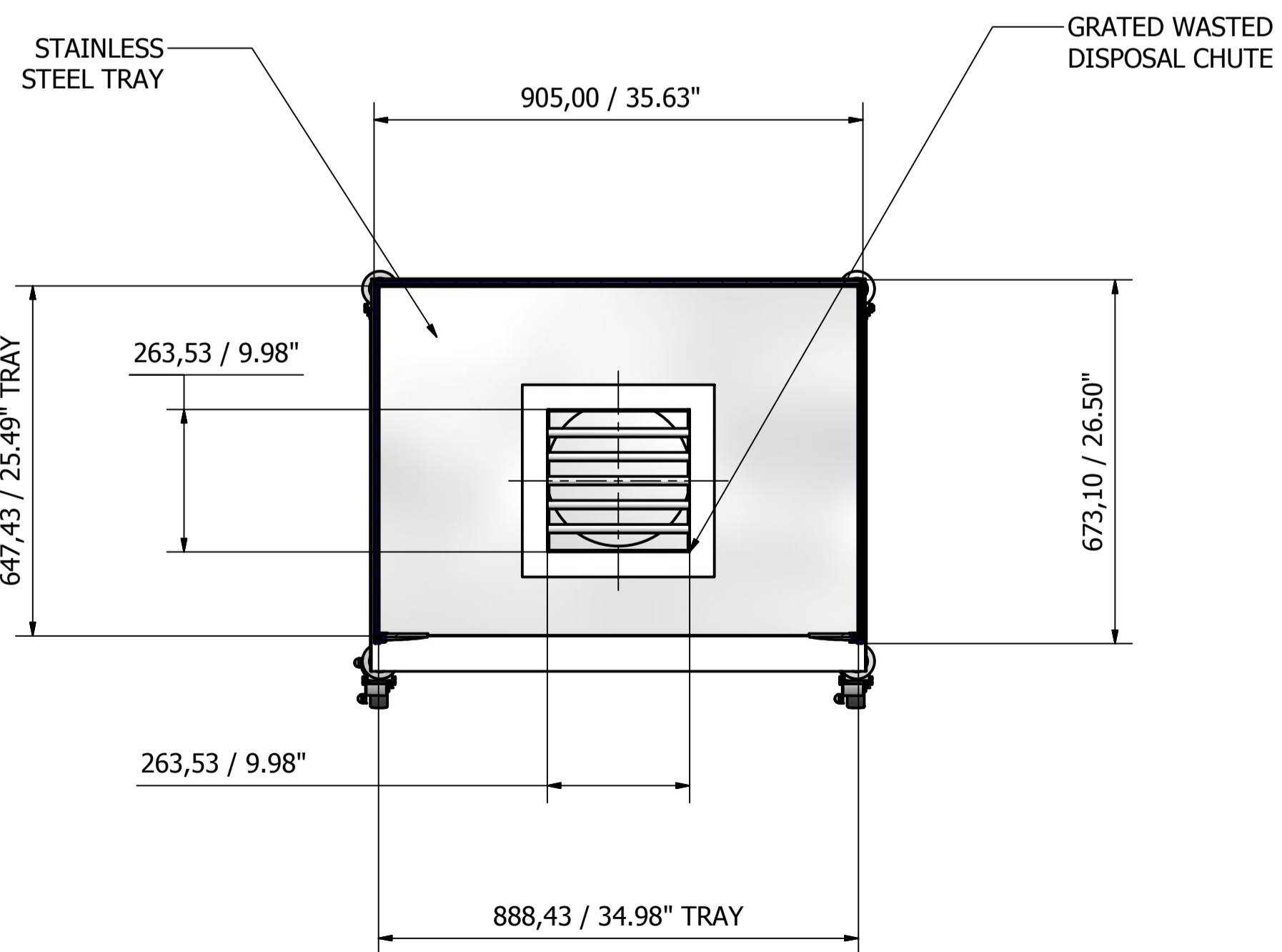
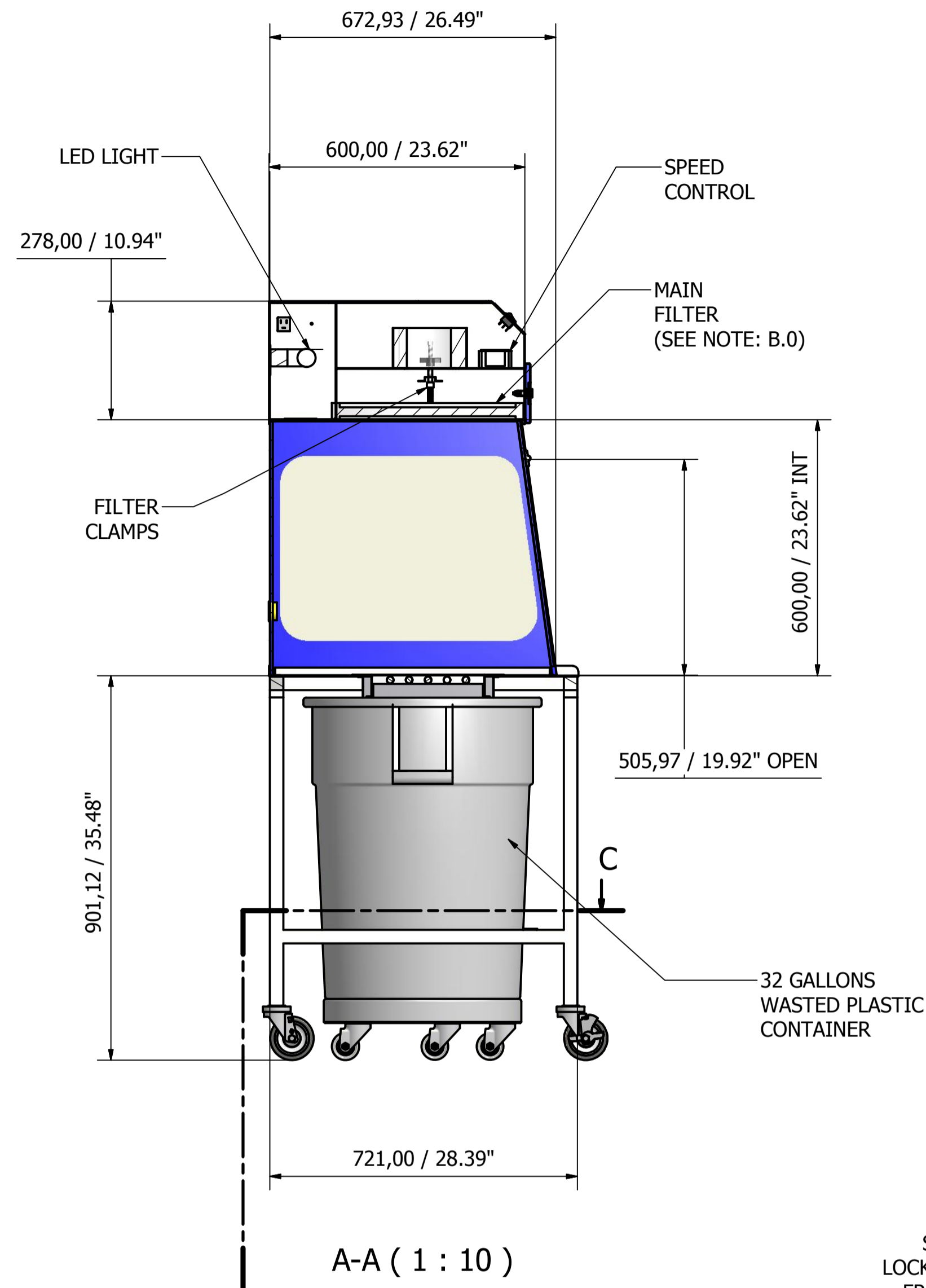
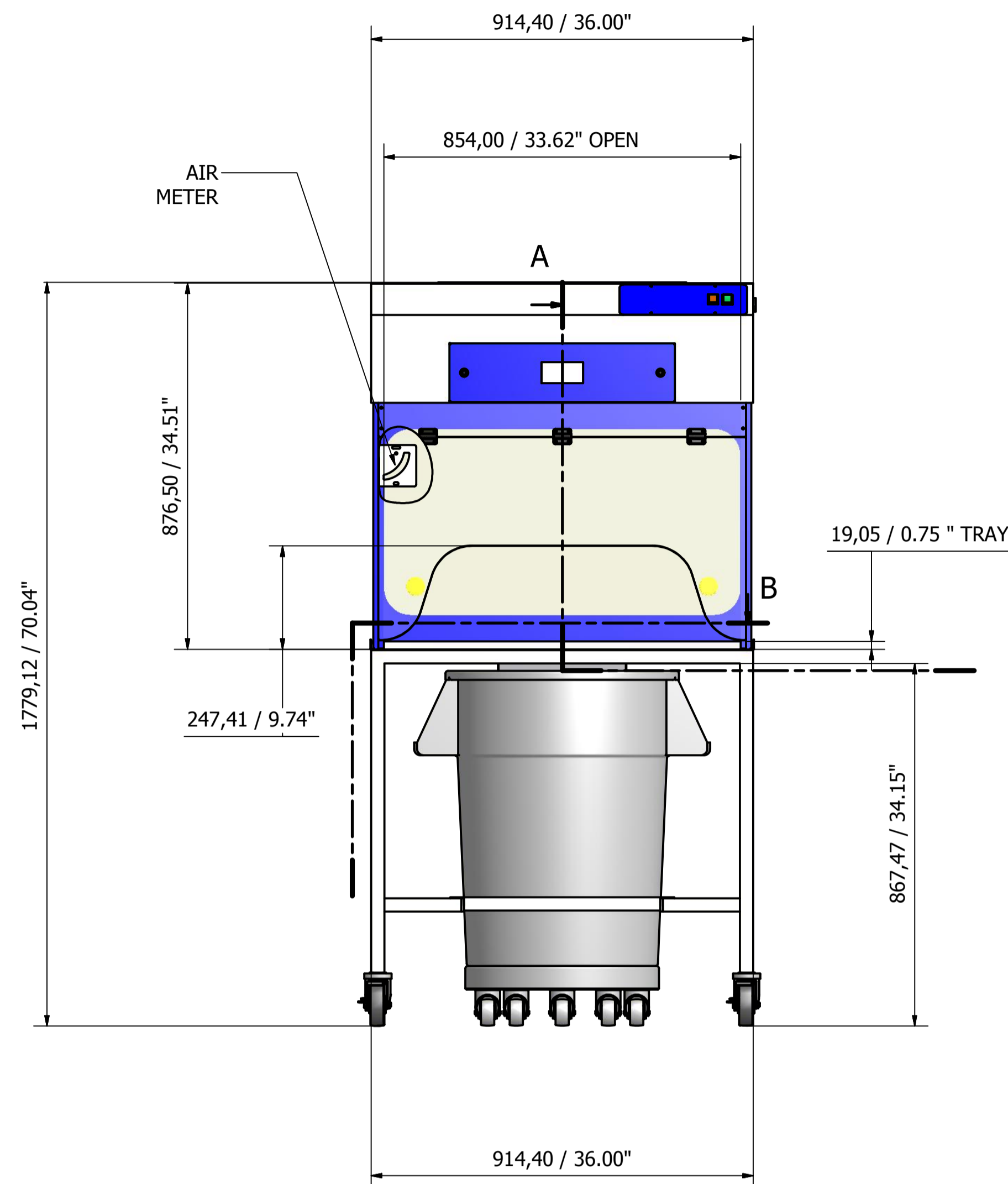


REVISION HISTORY				
ZONE	REV	DESCRIPTION	DATE	APPROVED
TOP COVER	1	NEW METAL HEAD RIVETED	2/2/2018	P CH



- NOTES:
- A.0 STANDARD ON ALL UNITS:
  - 1.0 CONSTRUCTION: EPOXY COATED MILD STEEL HEAD UNIT, COLUMNS AND CART.
  - 2.0 FRONT, SIDES AND BACK PANELS MADE OF 1/4" CLEAR ACRYLIC.
  - 3.0 COLOR EPOXY COATED BLUE.
  - 4.0 CENTRIFUGAL FAN.
  - 5.0 POWER SUPPLY:
  - 5.1 FOR 120 VOLT 60 HZ, TUV LABELED.
  - 5.2 FOR 230 VOLT 50 HZ, TUV AND CE LABELED.
  - 6.0 SWITCHES, MAIN ON/OFF.
  - 7.0 MONITORING, LOW AIRFLOW.
  - 8.0 HINGED FRONT SASH.
  - 9.0 ELECTROSTATIC PREFILTER.
  - 10.0 TWO PASS THROUGH PORTS.
  - 11.0 FILTER DOOR WITH KEY LATCHES.
  - B.0 MAIN FILTER IS APPLICATION-SPECIFIC; MUST ORDER SEPARATELY.

GENERAL TOLERANCES IN MILLIMETERS	
LINEAR & ANGULAR	FORM & POSITION
ISO 2768 V	ISO 2768 L

Designed by RB	Checked by	Approved by	Date 1/6/2021	Date 1/6/2021
AIR SCIENCE USA			CAGEX P536XT UNIT	
P5.36XTAR12-MainAssem			Edition 1	Sheet 1 / 1