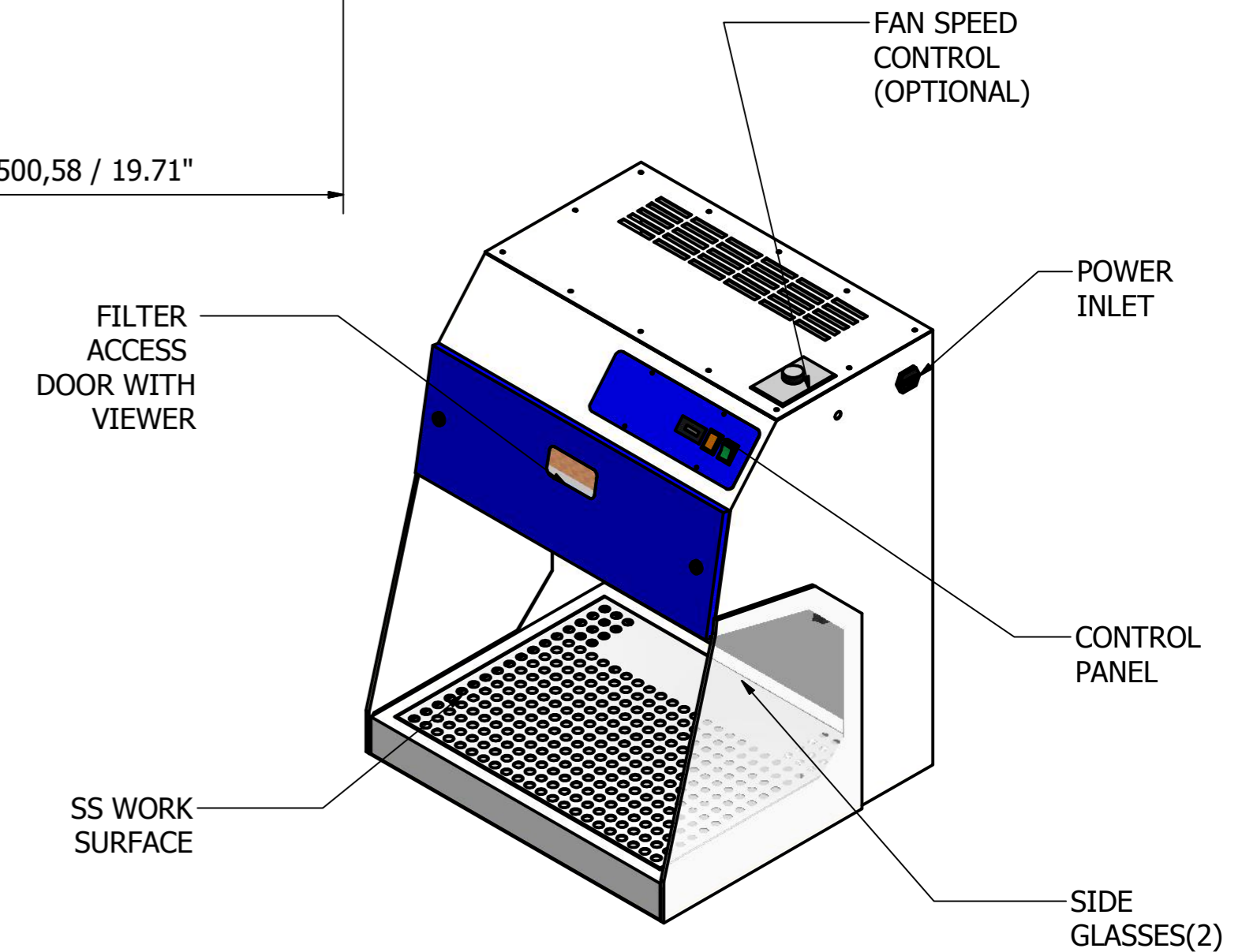
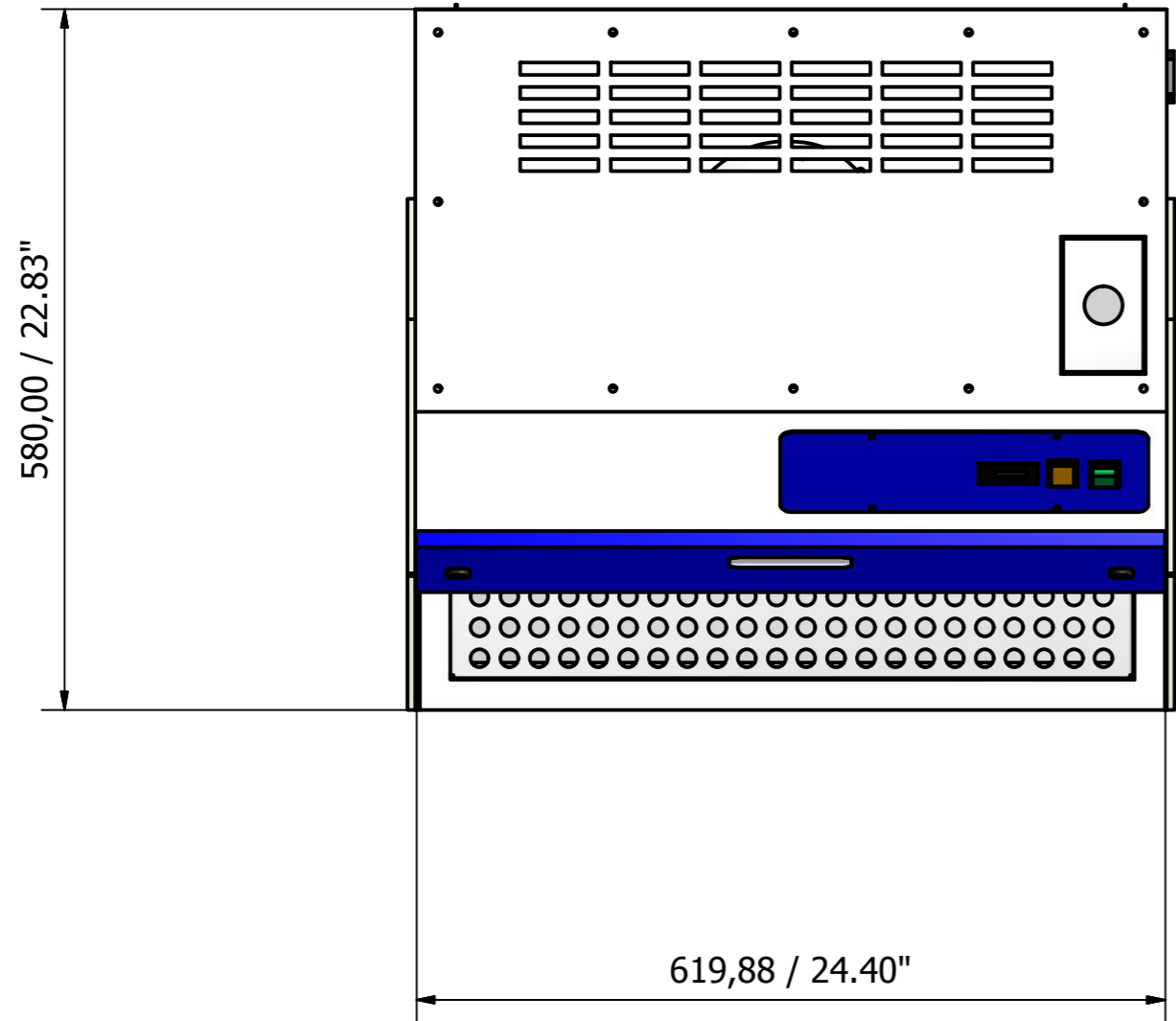
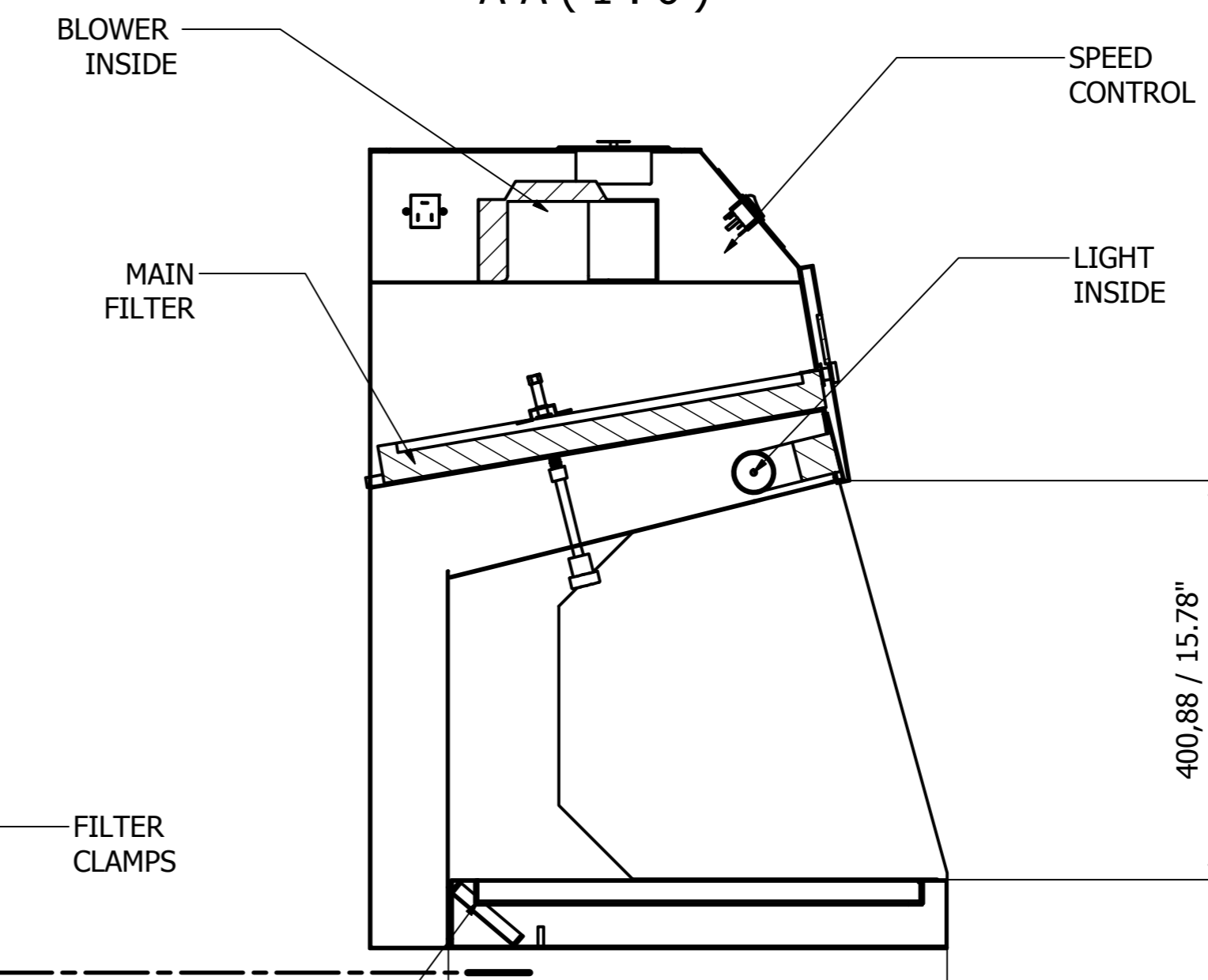


A-A (1:6)



Designed by cgranados	Checked by	Approved by	Date	Date 4/30/2014
AIR SCIENCE USA		DOWN FLOW WORKSTATION DWS24		
DWS24Assembly-R9		Edition R1	Sheet 1 / 1	