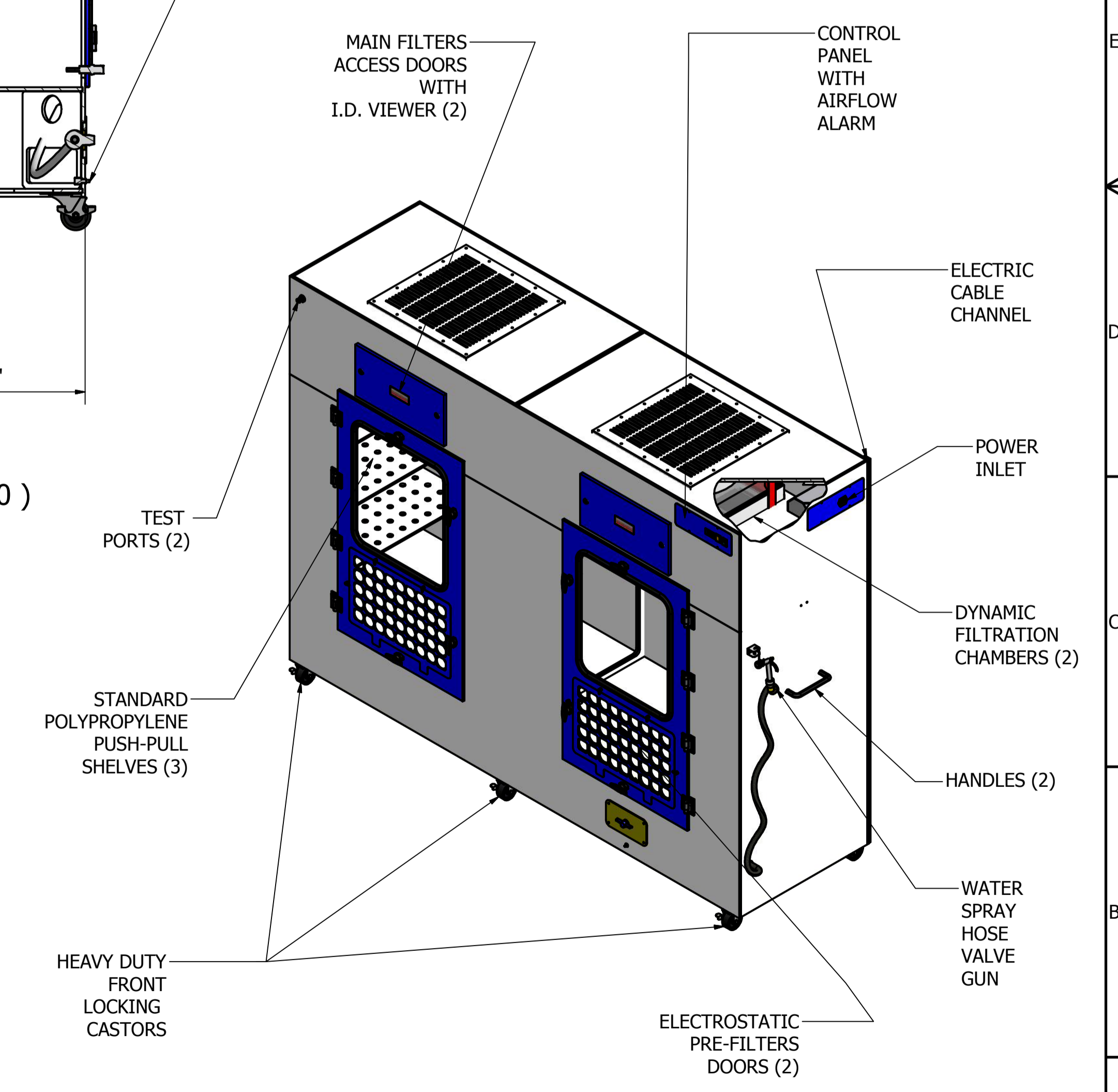
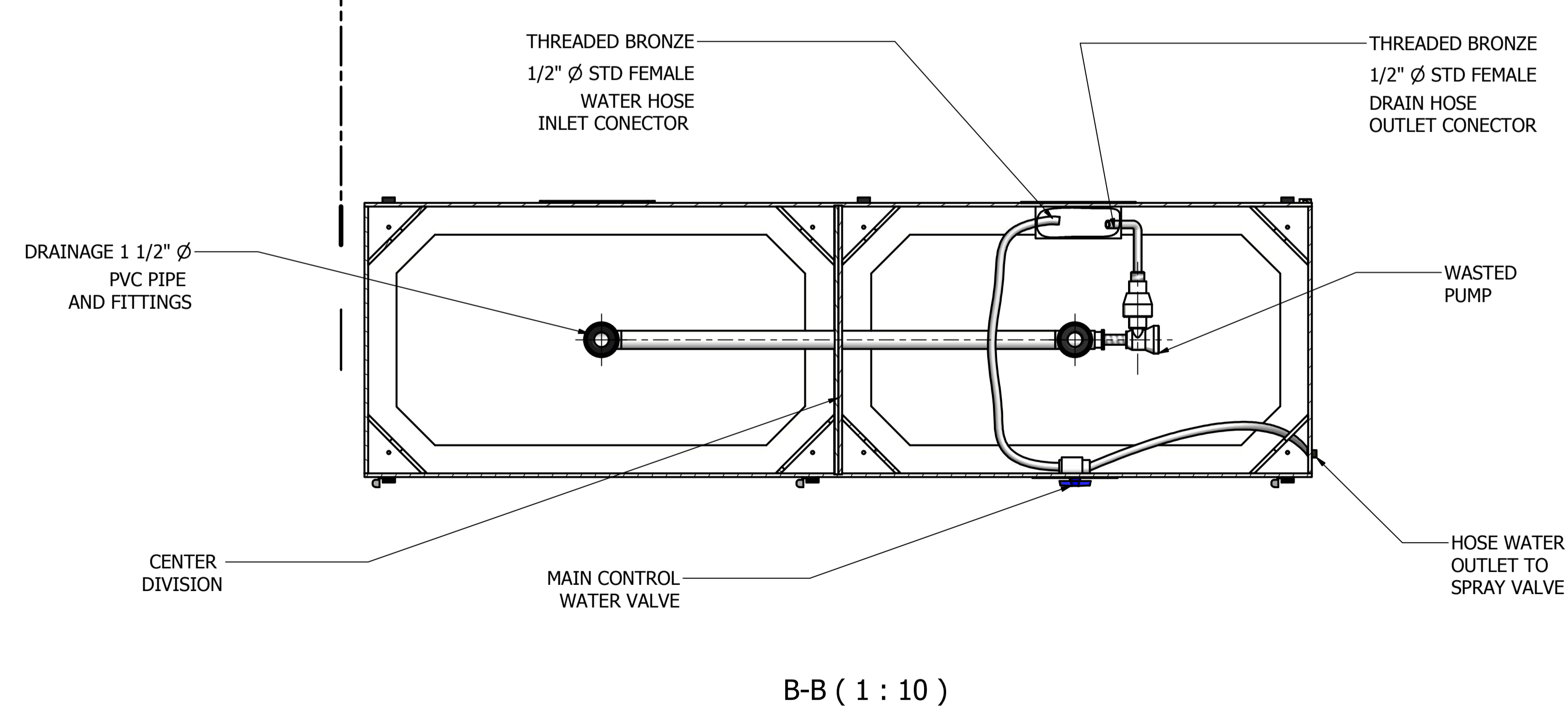
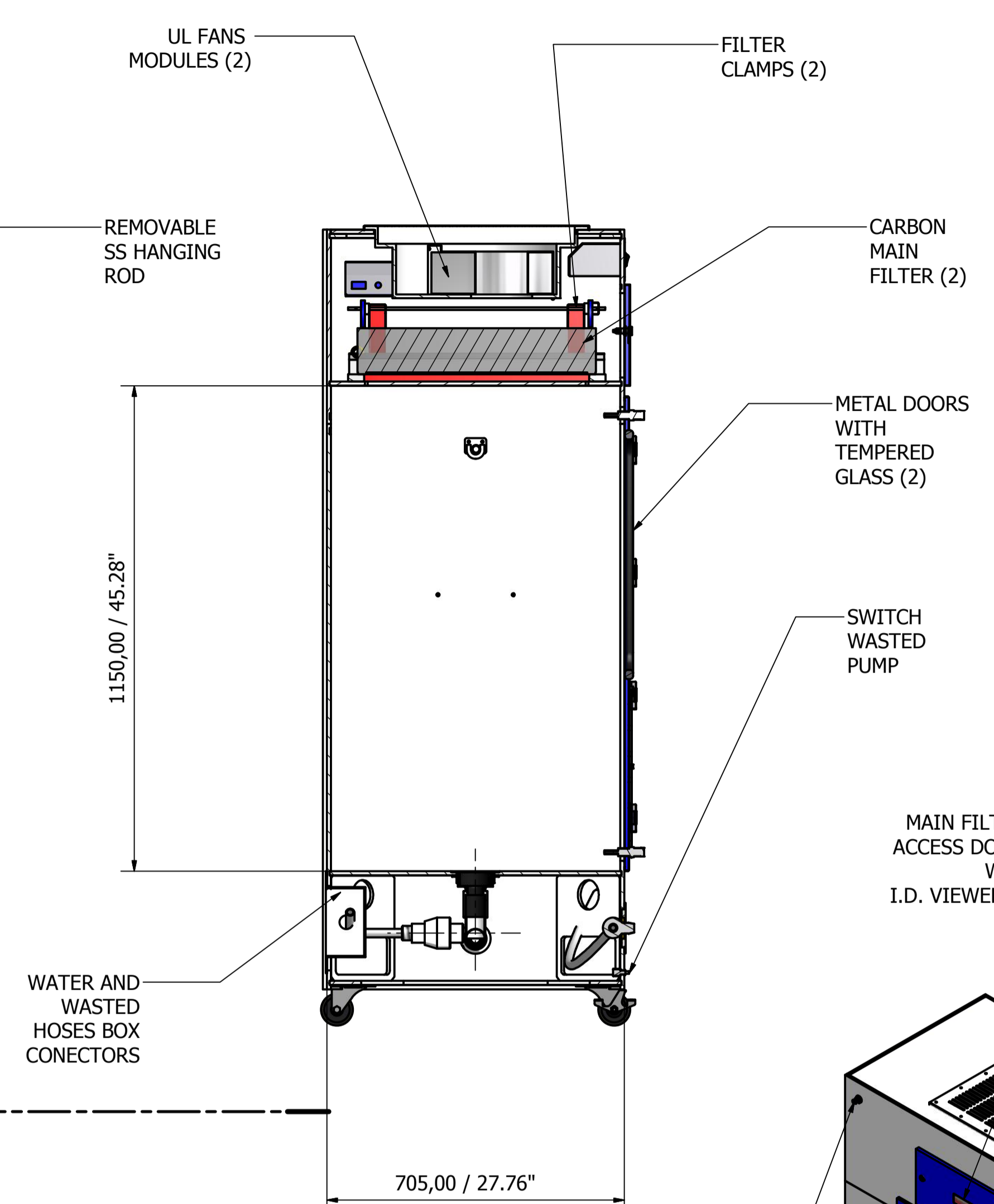
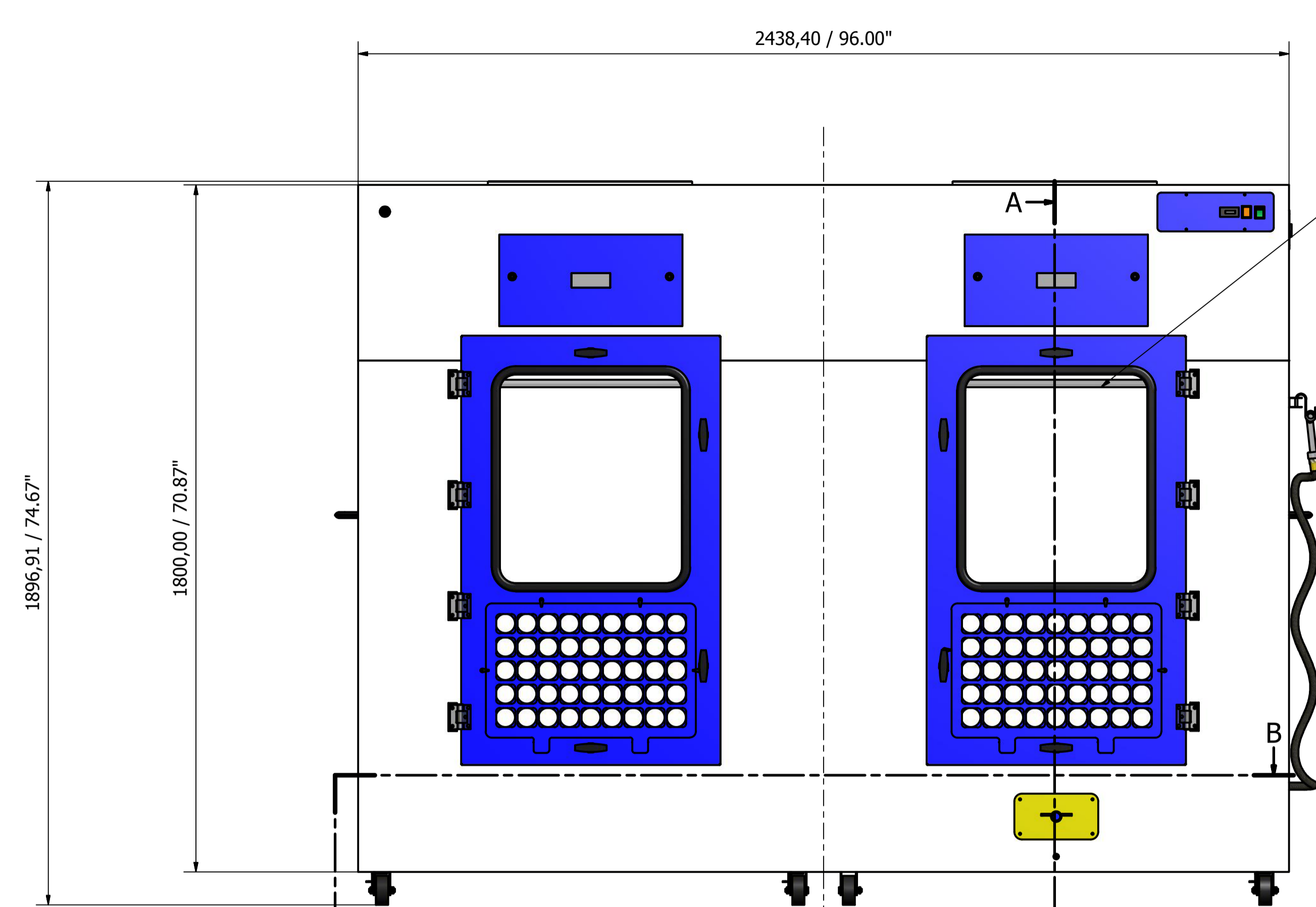


REVISION HISTORY				
ZONE	REV	DESCRIPTION	DATE	APPROVED
FAN LEVEL	1	UL FAN MODULE	7/06/2010	P CH
MAIN FILTER	2	METAL CLAMPS	8/12/2011	P CH
RIGHT SIDE	3	METAL SHOEBOX	8/18/2012	P CH

- NOTES:
 1.0 CUSTOMER:
 2.0 SUBMIT DRAWINGS FOR APPROVAL.
 3.0 INCLUDED:
 3.1 STANDARD ITEMS APPLIED.
 3.2 PLUMBING PACKAGE.
 3.3 SPRAY VALVE AND 1/2" X 6' HOSES FOR DRAINAGE AND COLD WATER WITH BRONZE FEMALE CONNECTORS.
 4.0 CABINET BUILT WITH 3/8" WHITE POLYPROPYLENE, SEAMLESS, NON-POROUS WATERTIGHT INSIDE, THERMALLY FUSE.
 5.0 STANDARD MOLDED PLUG NEMA 4-14P
 6.0 ELECTRICAL REQUIREMENTS 110V 6A 60 HZ



Designed by CFG	Checked by	Approved by	Date 4/21/2010	Date
AIR SCIENCE USA			DC D96 SAFEKEEPER	
DCD96UL.Gassem			Edition 3	Sheet 1 / 1